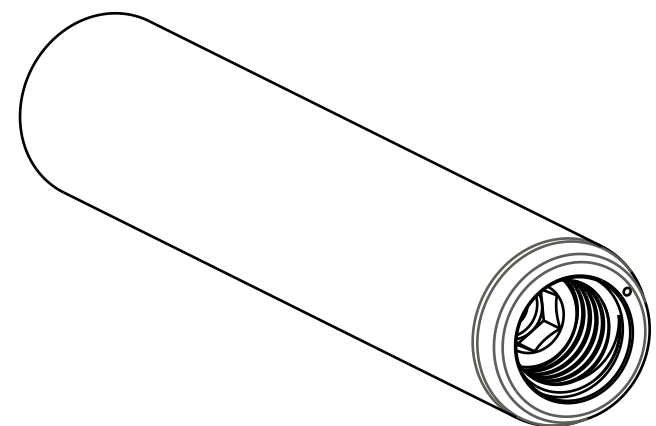


4

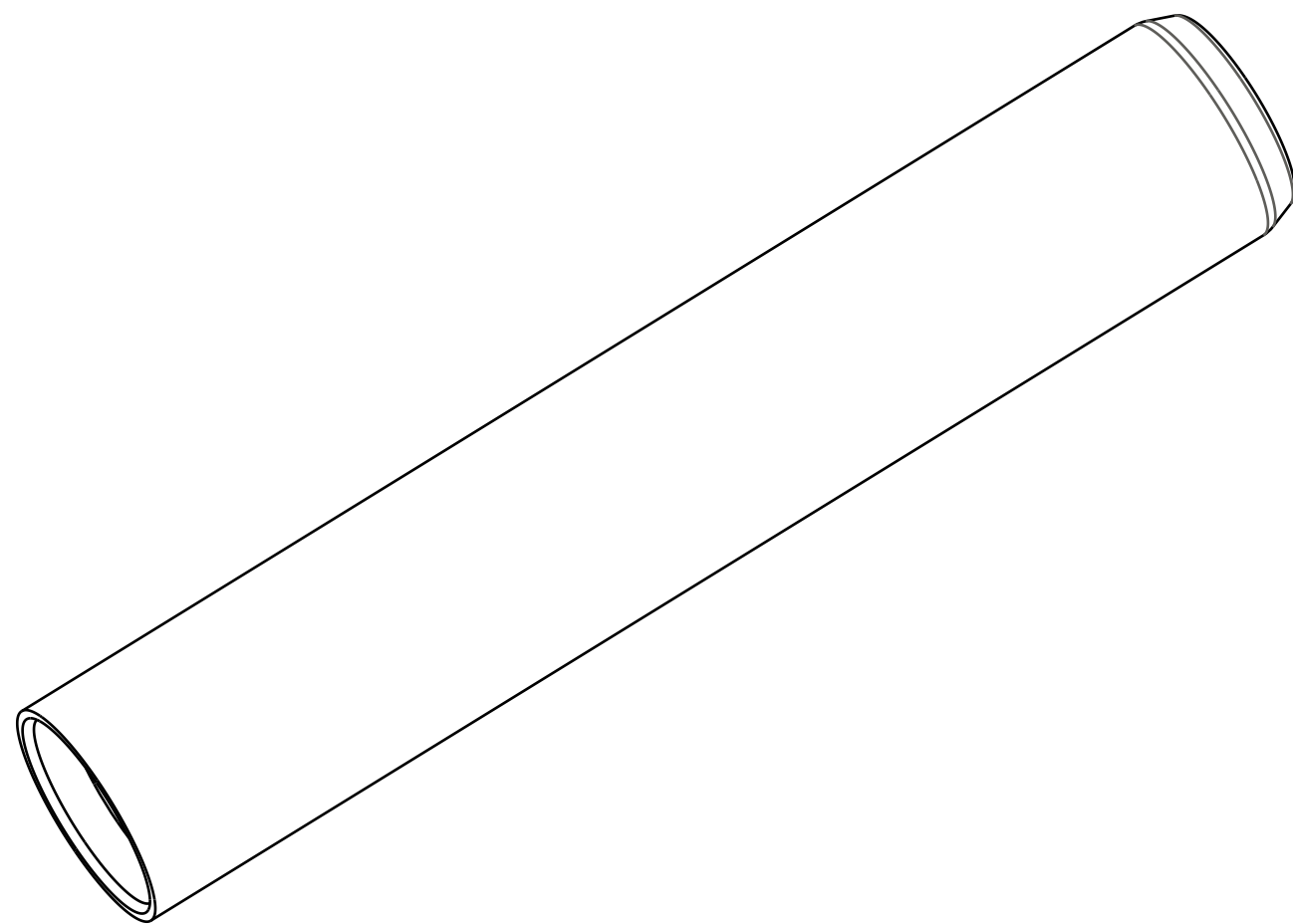
3

2

1



TORQUE:
14±2 IN LB

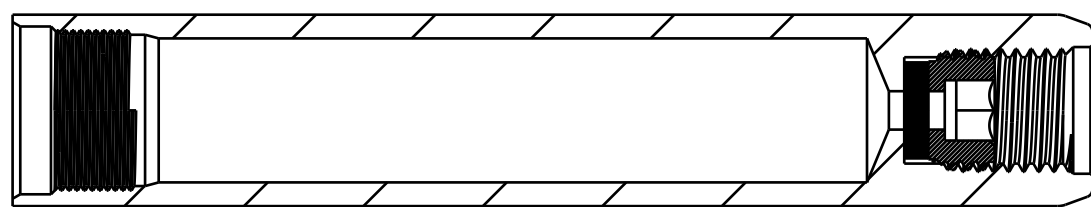


210-24-175

Insert: IFP Jet, Trek TS2, .015 Orifice, M8x1, SS

210-24-177

Filter Disc: Trek TS2, 316L SS, Poursous, [.250 OD, .063 W]



SECTION A-A

- PROPRIETARY -
THIS DOCUMENT CONTAINS CONFIDENTIAL, PROPRIETARY INFORMATION
THAT IS FOX PROPERTY. DO NOT DISCLOSE TO OR DUPLICATE
FOR OTHERS EXCEPT AS AUTHORIZED BY FOX.

FOX **FOX Factory, Inc.** Ph 831-768-1100
130 Hangar Way, Watsonville, CA 95076 USA Fax 831-768-9312

TITLE
**Shaft Assembly: Slave Shaft W/Filter
and Jet, 210 x 52.5, Trek TSS**

SIZE DWG. NO. **809-03-100-KIT**

PLOT SCALE 2.00:1 SHEET 1 OF 1

4

3

2

1