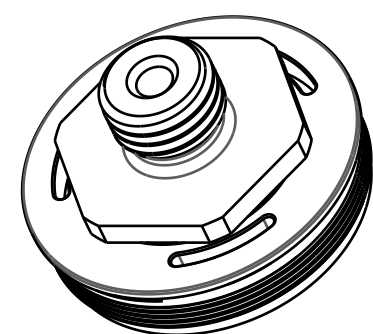


4

3

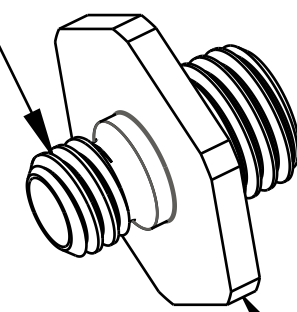
2

1



GREASE:
THIN LAYER
SLICK HONEY

TORQUE:
22 ± IN LB



210-24-172
Bolt: RD Check, Trek, Float RG, [8mm Hex, M6x1, .300 TLG], Clear Ano II

044-20-035
Valve: [.350 OD X .252 ID X .020 TH]

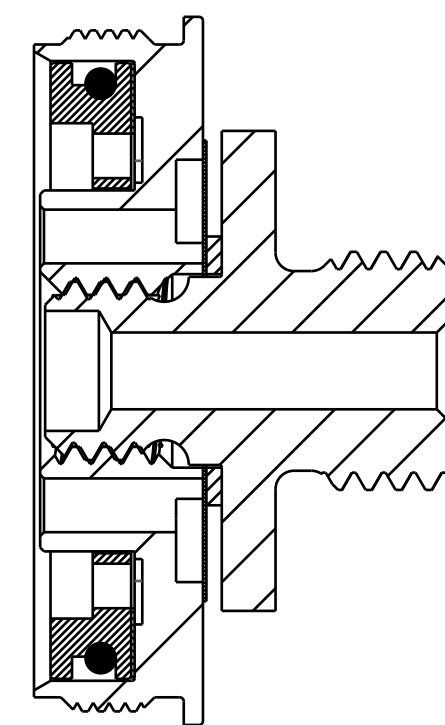
044-04-060
Valve: [.600 OD X .252 ID X .0045 TH]

Piston: Valve Housing Cap, No Dish w/laser, Trek Reaktiv, Blue Ano

046-20-014
Valve: [0.800 OD X 0.618ID X 0.0045 TH]

029-08-049
Seals: O-Ring [18.0MM ID x 1.0MM CS] Metric, N-70, Static

210-22-820
Valve: Blowoff Piston, Trek, Float RG, VI, [.802 OD, .105 TLG, 10 holes], Clear



SECTION A-A
SCALE 4.000

FOX **FOX Factory, Inc.** Ph 831-768-1100
130 Hangar Way, Watsonville, CA 95076 USA Fax 831-768-9312

TITLE
Valving Sub Assy: Trek TSS,
Reaktiv Valve Housing Cap

SIZE DWG. NO. **815-72-004-KIT**

PLOT SCALE 2.00:1 SHEET 1 OF 1

PROPRIETARY
THIS DOCUMENT CONTAINS CONFIDENTIAL, PROPRIETARY INFORMATION
THAT IS FOX PROPERTY. DO NOT DISCLOSE TO OR DUPLICATE
FOR OTHERS EXCEPT AS AUTHORIZED BY FOX.

4

3

2

ProE ASSEM