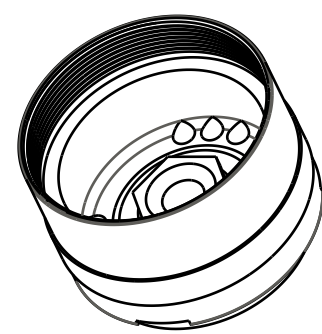


4

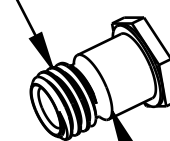
3

2

1



TORQUE:  
60±5 IN LB



210-22-817  
Piston Bolt: Trek, Float RG, [8mm Hex, 1/4-28 Thread, .373 SHLG], 420 SS

(044-10-035)  
044-10-035  
Valve: [.350 OD X .252 ID X 0.010 TH]

044-04-050  
Valve: [.500 OD X .252 ID X .0045 TH]

044-04-055  
Valve: [.0.550 OD X 0.252 ID X 0.0045 TH]

Piston: Valve Housing, Trek, Float RG, VI, [.925 OD, .579 TLG], 416SS

029-08-006  
Seals: O-Ring [20.0MM ID x 1.0MM CS] Metric, N-70, Static

002-02-009  
Bearing: Glide Ring, Blue Turcon

044-06-080  
Valve: [.800 OD X .252 ID X .006 TH]

044-06-070  
Valve: [.700 OD X .252 ID X .006 TH]

044-08-060  
Valve: [.600 OD X .252 ID X .008 TH]

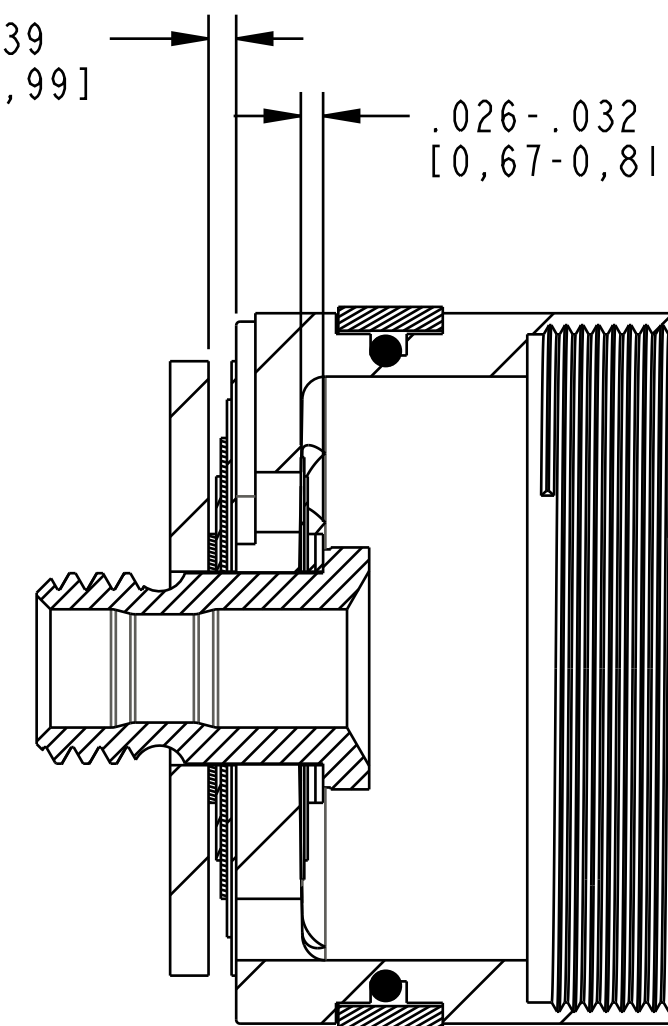
(044-06-050)

044-10-035  
Valve: [.350 OD X .252 ID X 0.010 TH]

050-01-025  
Plate: Back-up [.800 OD x .252 ID x .050TH]

.033-.039  
[0.84-0.99]

.026-.032  
[0.67-0.81]



SECTION A-A  
SCALE 4.000

**FOX** FOX Factory, Inc. Ph 831-768-1100  
130 Hangar Way, Watsonville, CA 95076 USA Fax 831-768-9312

TITLE Valving Sub Assy: Trek TSS, Reaktiv Valve Housing, CM, RM

SIZE DWG. NO. 815-72-005-KIT  
C PLOT SCALE: .50:1 SHEET 1 OF 1

PROPRIETARY - THIS DOCUMENT CONTAINS CONFIDENTIAL, PROPRIETARY INFORMATION THAT IS FOX PROPERTY. DO NOT DISCLOSE TO OR DUPLICATE FOR OTHERS EXCEPT AS AUTHORIZED BY FOX.

4

3

2

ProE ASSEM