

808-17-242-KIT
Eyelet Assy: 2017 FLOAT DPS, Nude 4, Trunnion, with Eyelet Vol Spacer

VOLUME SPACERS:
233-00-213: Volume Spacer: 2014 Nude 3, 0.1in³ (Contessa Model only)
233-00-214: Volume Spacer: 2014 Nude 3, 0.2in³

210-84-011
Damp Adj Part: (T) FLOAT 2017, Metering Rod Rebound [110 ID X 2.632 TLG], 45mm

010-01-009
Ball [Dia 1.5MM] Steel

029-12-000
Seals: O-ring, Square cut [0.087 ID X 0.039 WALL X 0.036 TH], NA103-70, Dynamic

210-24-025
Damping Adjust Part: (T) Inner Comp Rod Scott Float DPS, 2017, 3.278 TLG, 45mm Travel

029-05-030
Seals: O-ring [0.050 C.S. x .154 ID] Special N0552-90, Dynamic

043-15-070
Valve: [.850 OD X .356 ID x .015 TH]

812-06-064-KIT
Bearing Assy: 2017 Nude 4, Red, 5mm Travel Reducer

018-08-013
Slotted Spring Pin, [IMM Diameter X 6mm Length], 18-8 SS

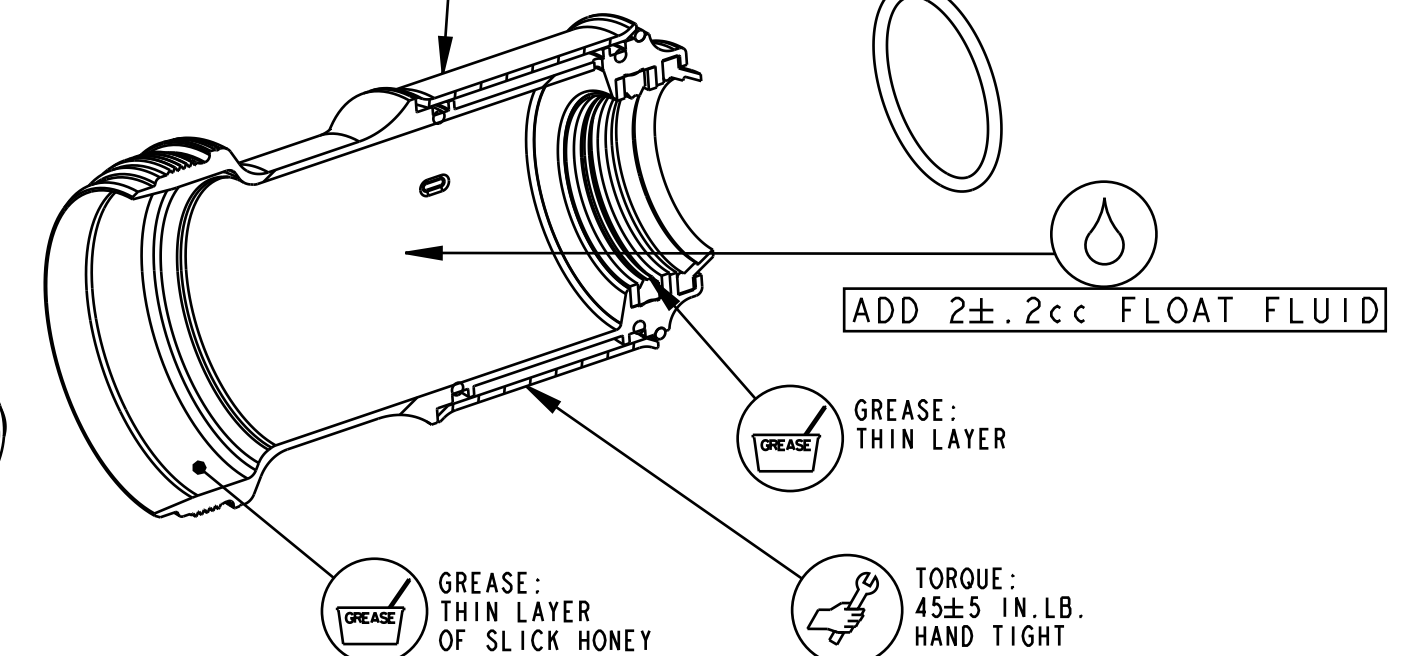
210-24-025
Damping Adjust Part: (T) Inner Comp Rod, Scott Float DPS, 2017, 3.278 TLG, 45mm Travel

241-01-074
Tri-lobe Lockout Plate: [.800 OD, .020 TH], 20L/20C Steel

018-01-015
Screw [#1-64 X .188 TLG]

805-00-092-KIT
Piston Assembly: Floating [Ø 0.940 Bore, 0.325 TLG]

BODIES:
204-54-231: Body: FLOAT [Ø 0.940 Bore, 1.060 OD, 3.959 TLG] Black Ano III, 165(T) x 40/45
207-50-031: Body: FLOAT [Ø 0.940 Bore, 1.060 OD, 3.959 TLG] Kashima, 165(T) x 40/45



AIR SLEEVE ASSEMBLIES:
806-29-297-KIT: Sleeve Assy: Ano, Nude 4, 165(T) X 40/45
806-29-307-KIT: Sleeve Assy: Kashima, Nude 4, 165(T) X 40/45

ADD 2±.2cc FLOAT FLUID

TORQUE:
14±2 IN. LB.

029-03-022
O-Ring (-022) [.070 C.S. X .989 ID]

GREASE:
THIN LAYER

TORQUE:
45±5 IN. LB.
HAND TIGHT

GREASE:
THIN LAYER OF SLICK HONEY

TORQUE:
20±2 FT. LB.

GREASE:
THIN LAYER

TORQUE:
3±.25 IN. LB.

010-00-010
Pellet Retainer [5/16-24, .220 TLG]

010-01-003
Ball [Ø 0.1875] Delrin

Air Valve Parts: Pellet [Ø 0.275 X 0.125 TLG] nitrile durometer A 90

VALVING ASSEMBLIES:
807-06-227-KIT: Valving Assy: 2018 Float DPS, R/C, LCL, LRM, CMF [.940 Bore]
807-06-221-KIT: Valving Assy: 2018 Float DPS, R/C, LCM, LRM, CMF [.940 Bore]

018-01-034
Set Screw [#8-32 X 0.125 TLG] Flat Point, SS

TORQUE:
10-15 IN. LB.

010-01-000
Ball [Ø 0.1250] Steel

TORQUE:
60±5 IN. LB.

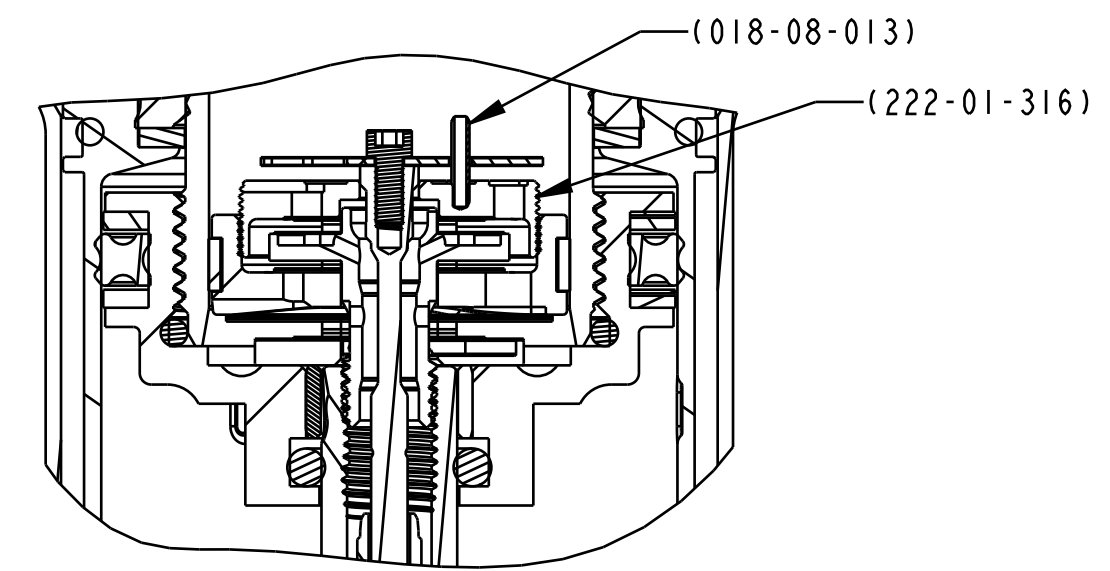
GREASE:
THIN LAYER

TORQUE:
85±5 IN. LB.
FLUSH

GREASE:
THIN LAYER

GREASE:
THIN LAYER

LOCTITE:
RED 277



SECTION B-B
SCALE 2.000