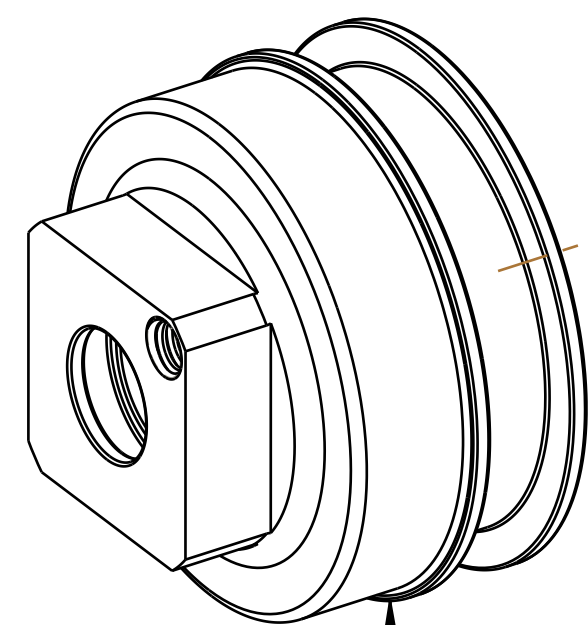


4

3

2

1



Bearing Housing: Float MY2017, Red, 5mm Travel Reducer, Nude

029-08-123
Seals: O-ring [8.5mm ID x 2.5mm CS], Metric, Polyurethane 92A or 90A, Dynamic

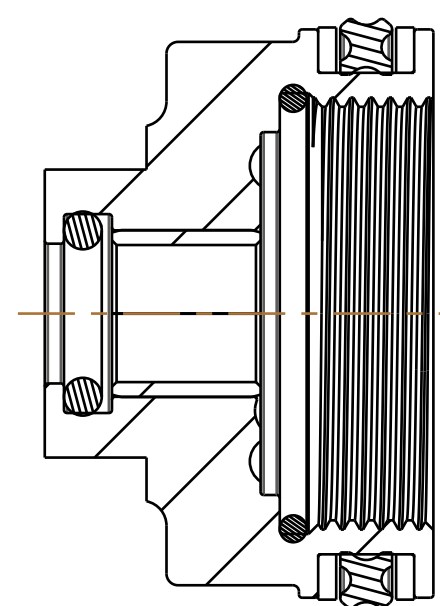
Bearing, (T): Internal [9mm ID x 11mm OD x .440" TLG, 9mm Shaft]

029-03-023
Seals: O-Ring [(-023) .070 C.S. X 1.051 ID] Standard, N-70, Static

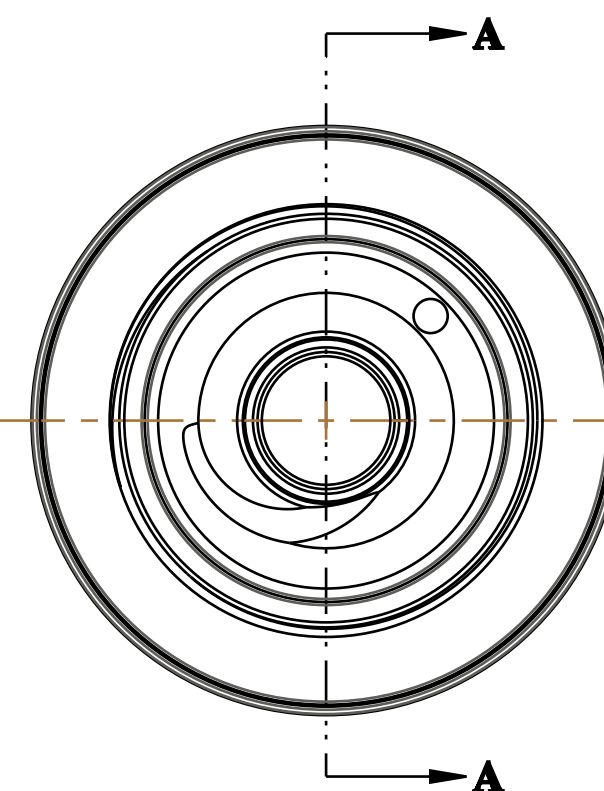
002-02-018
Bearing [.118 W X 1.491 OD X .047 TH, Ø1.50 Bore]

035-01-002
Seals: Q-Ring, Custom Angle

(002-02-018)



SECTION A-A



FOX FOX Factory, Inc. Ph 831-768-1100
130 Hangar Way, Watsonville, CA 95076 USA Fax 831-768-9312

TITLE
Bearing Assy: 2017 Nude 4,
Red, 5mm Travel Reducer

SIZE DWG. NO. 812-06-064-KIT

PLOT SCALE 2/1 SHEET 1 OF 1

PROPRIETARY
THIS DOCUMENT CONTAINS CONFIDENTIAL, PROPRIETARY INFORMATION
THAT IS FOX PROPERTY. DO NOT DISCLOSE TO OR DUPLICATE
FOR OTHERS EXCEPT AS AUTHORIZED BY FOX.

4

3

2

ProE ASSEM