

4

3

2

1

D

D

C

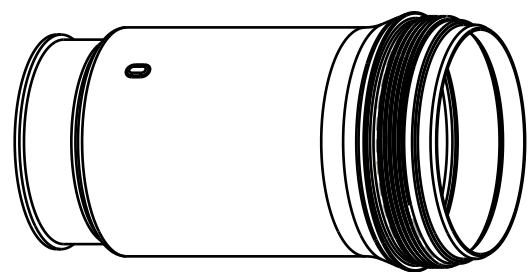
C

B

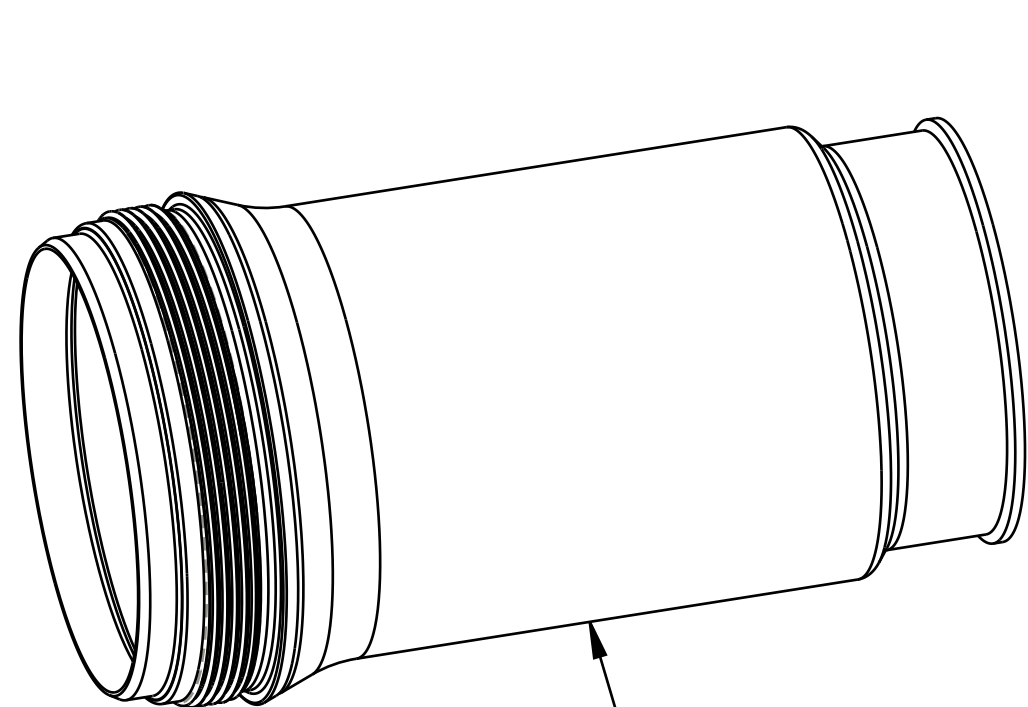
B

A

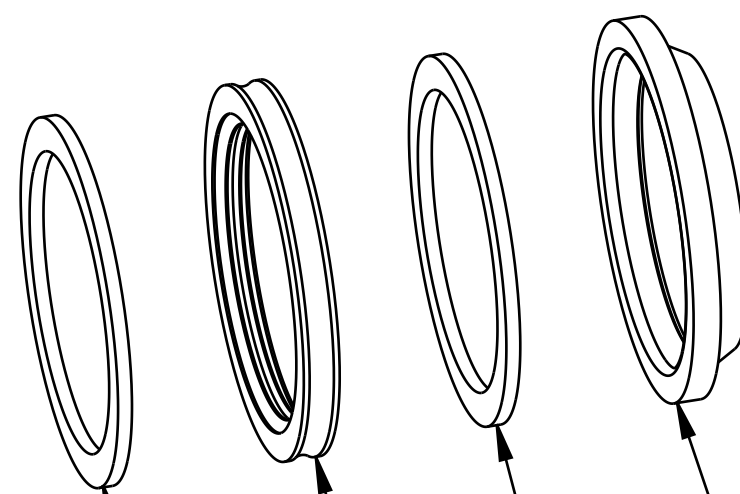
A



SCALE 0.750



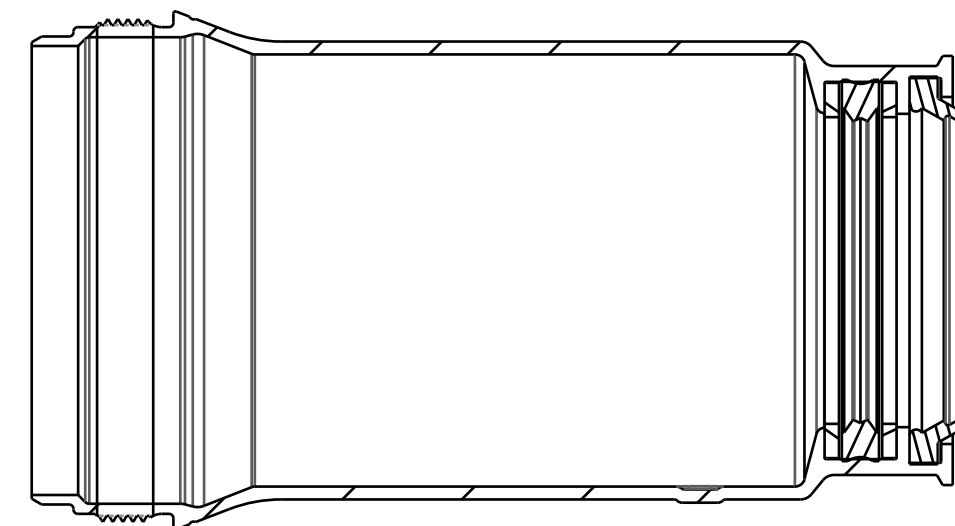
SLEEVE



003-09-000
Bearing: Back Up Ring [Ø 1.060 Shaft]

036-01-017
Seal: Chevron, FLOAT Body [Ø 1.060 Shaft]

036-02-020
Wiper, Samurai [Ø 1.060 Shaft]
(003-09-000)



- PROPRIETARY -
THIS DOCUMENT CONTAINS CONFIDENTIAL, PROPRIETARY INFORMATION
THAT IS FOX PROPERTY. DO NOT DISCLOSE TO OR DUPLICATE
FOR OTHERS EXCEPT AS AUTHORIZED BY FOX.

FOX **FOX Factory, Inc.** Ph 831-768-1100
130 Hangar Way, Watsonville, CA 95076 USA Fax 831-768-9312

TITLE
Sleeve Assemblies: Kashima and Ano
Nude 4, 165(T) X 40/45

SIZE DWG. NO.
C | SHEET 1 OF 1
PLOT SCALE 2:1

4

3

2

1