

Seals: O-Ring [16.5mm ID X 1.5mm CS] Metric, N-70, Static

039-00-205
Spring, Comp. Check

044-06-060
Valve: [.600 X .252 X .006]

GREASE:
THIN LAYER
OF SLICK HONEY

040-20-066
Valve: [0.660 OD X 0.377 ID X 0.020 TH]

210-22-877
Reflow Cap, FIT 4

IMPORTANT:
NOTE ORIENTATION
OF SPRING

OIL:
THIN LAYER OF FOX
DAMPER OIL ON OD AND ID

210-22-887
Bladder Seal Ring Lower, FIT4

TORQUE:
55±5 IN.LB.

038-00-063
RING: INTERNAL SMALLEY (VH-100-S02)

GREASE:
THIN LAYER
OF SLICK HONEY

210-22-303
Bladder, 010 RL_RLC

210-22-997
Compression Piston Clamp, FIT4

210-22-996
Shaft: Coupler, 0.375" OD X 0.254" ID, 7075-T6, FIT4

IMPORTANT:
MAKE SURE
IS FULLY SEATED

GREASE:
THIN LAYER
OF SLICK HONEY

029-03-020
O-Ring (-020) [.070 C.S. X .864 ID]

IMPORTANT:
DO NOT SEAT UNTIL
ENTIRE CART. IS TORQUED

210-22-886
Bladder Seal Ring Upper, FIT4

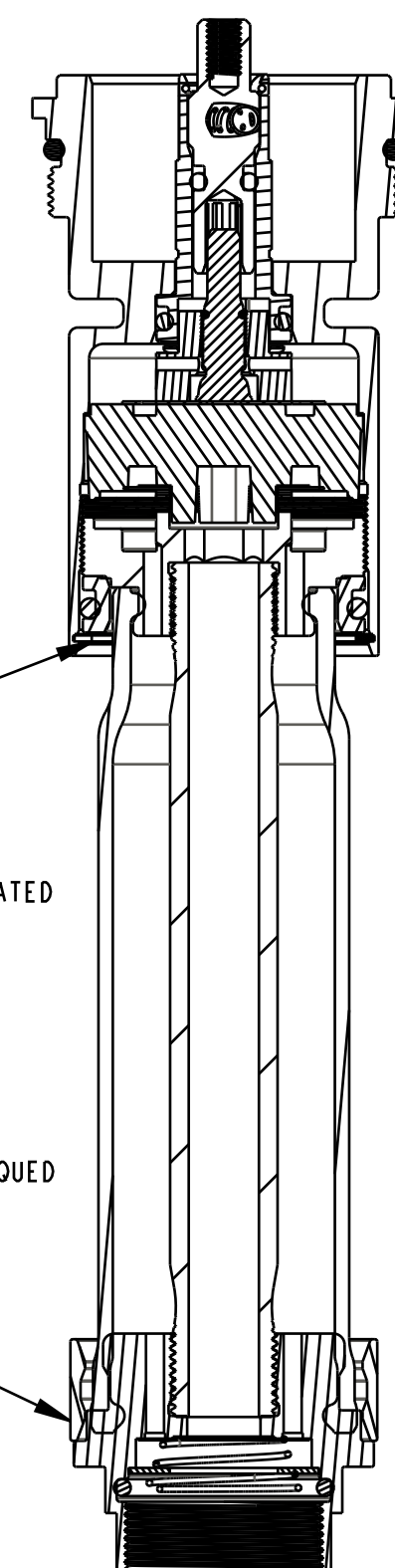
TORQUE:
75±5 IN.LB.
COMPRESSION CLAMP INTO TOPCAP ONLY

Compression Valving Assemblies:
820-03-460-KIT: 2016 FIT4 F-S Compression Valving Assy
820-03-544-KIT: 2018 FIT4 F-S Compression Valving Assy, E18

820-03-462-KIT
2016 FIT4 F-S Top Cap Parts

029-03-022-A
Seals: O-Ring [(-022) .070 C.S. X 0.989 ID] Standard, N-70, Static

TOPCAP BODY



FOX FOX Factory, Inc. Ph 831-768-1100
130 Hangar Way, Watsonville, CA 95076 USA Fax 831-768-9312

TITLE
2018 32mm 26in/27.5in/29in
F-S FIT4 Topcap Assemblies

SIZE DWG. NO.
C
PLOT SCALE | .00 : 1 | SHEET | OF | 1

PROPRIETARY
THIS DOCUMENT CONTAINS CONFIDENTIAL, PROPRIETARY INFORMATION
THAT IS FOX PROPERTY. DO NOT DISCLOSE TO OR DUPLICATE
FOR OTHERS EXCEPT AS AUTHORIZED BY FOX.