

4

3

2

1

D

D

C

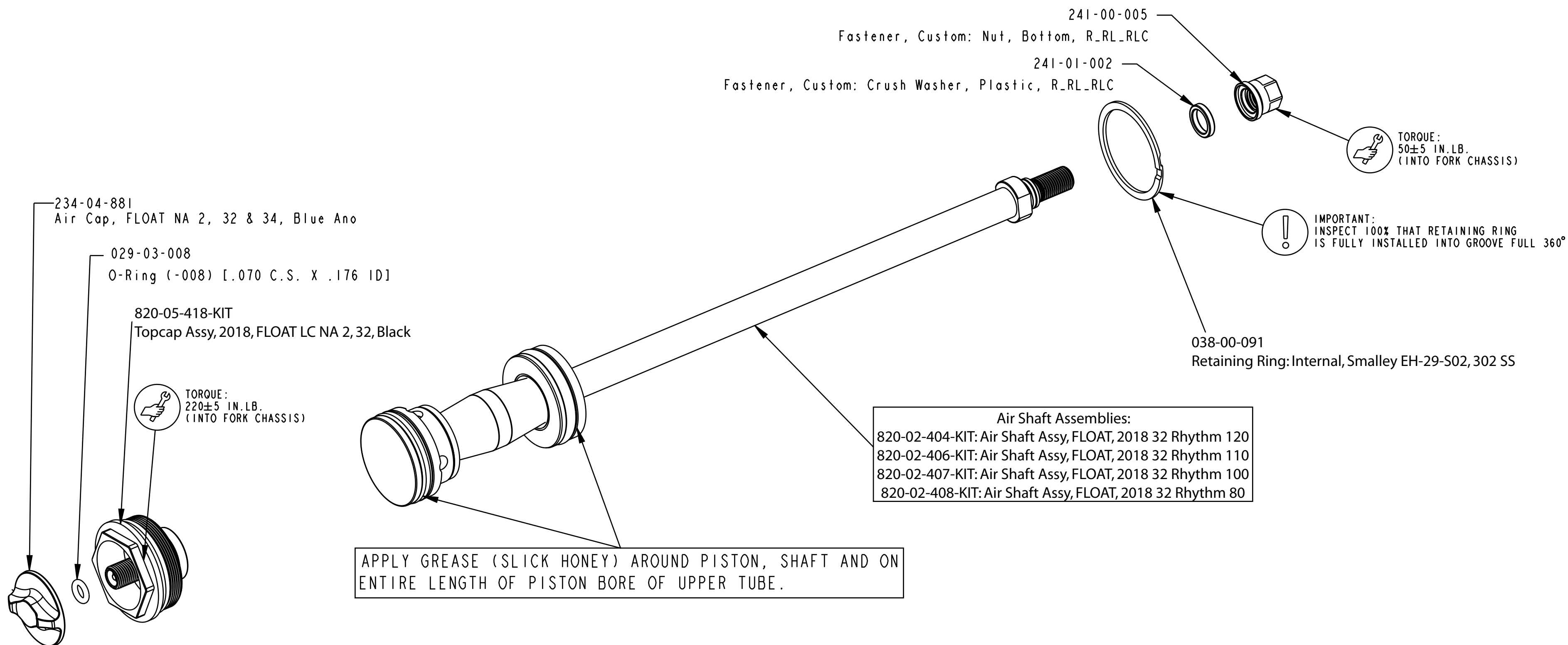
C

B

B

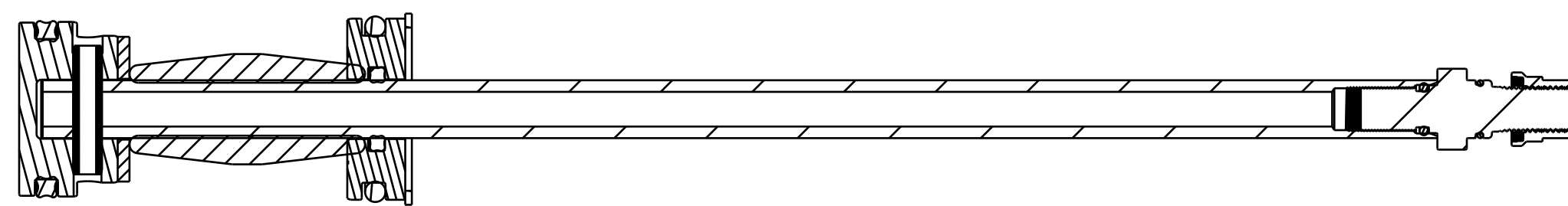
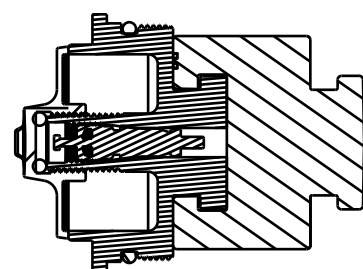
A

A



APPLY GREASE (SLICK HONEY) AROUND PISTON, SHAFT AND ON ENTIRE LENGTH OF PISTON BORE OF UPPER TUBE.

- Air Shaft Assemblies:**
 820-02-404-KIT: Air Shaft Assy, FLOAT, 2018 32 Rhythm 120
 820-02-406-KIT: Air Shaft Assy, FLOAT, 2018 32 Rhythm 110
 820-02-407-KIT: Air Shaft Assy, FLOAT, 2018 32 Rhythm 100
 820-02-408-KIT: Air Shaft Assy, FLOAT, 2018 32 Rhythm 80



SECTION A-A

- PROPRIETARY -
 THIS DOCUMENT CONTAINS CONFIDENTIAL, PROPRIETARY INFORMATION
 THAT IS FOX PROPERTY. DO NOT DISCLOSE TO OR DUPLICATE
 FOR OTHERS EXCEPT AS AUTHORIZED BY FOX.

FOX FOX Factory, Inc. Ph 831-768-1100
 130 Hangar Way, Watsonville, CA 95076 USA Fax 831-768-9312

TITLE 2018 32mm 27.5in/29in 80-120
 Rhythm Air Spring Assemblies

SIZE DWG. NO. C

PLOT SCALE | .00:1 | SHEET 1 OF 1

4

3

2

1