

4

3

2

1

019-01-115
Fastener Standard (Metric): Screw, Socket Head, M2.5 X 8

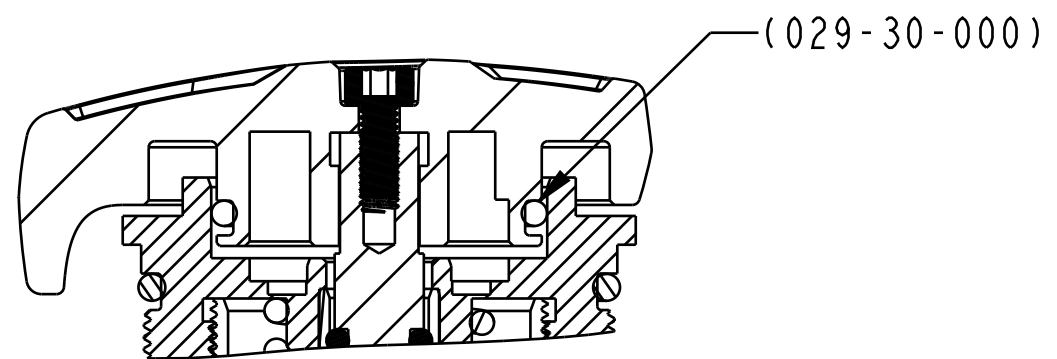
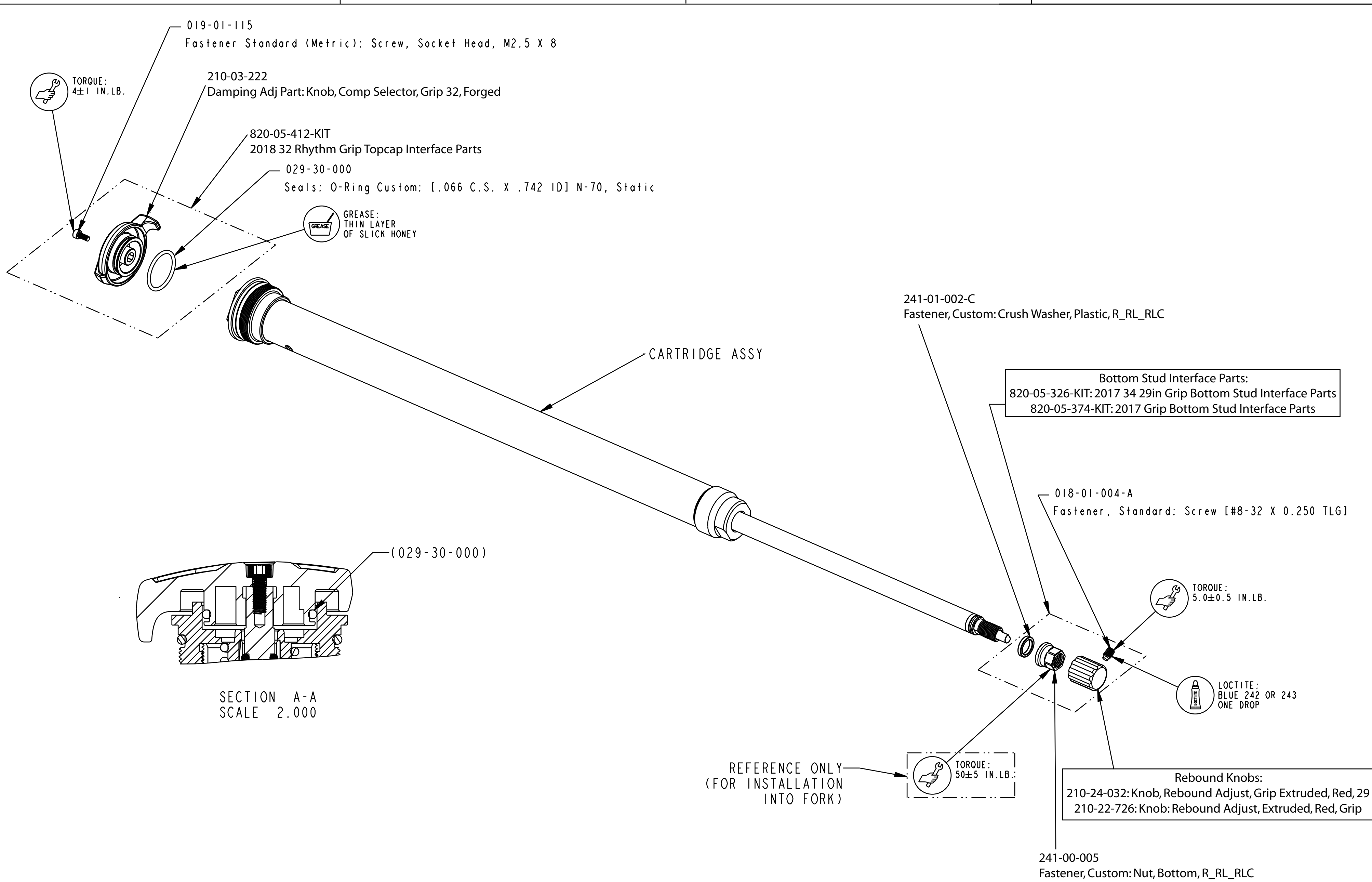
TORQUE:
4±1 IN.LB.

210-03-222
Damping Adj Part: Knob, Comp Selector, Grip 32, Forged

820-05-412-KIT
2018 32 Rhythm Grip Topcap Interface Parts

029-30-000
Seals: O-Ring Custom: [1.066 C.S. X .742 ID] N-70, Static

GREASE:
THIN LAYER
OF SLICK HONEY



SECTION A-A
SCALE 2.000

241-01-002-C
Fastener, Custom: Crush Washer, Plastic, R_RL_RLC

Bottom Stud Interface Parts:
820-05-326-KIT: 2017 34 29in Grip Bottom Stud Interface Parts
820-05-374-KIT: 2017 Grip Bottom Stud Interface Parts

018-01-004-A
Fastener, Standard: Screw [#8-32 X 0.250 TLG]

TORQUE:
5.0±0.5 IN.LB.

LOCTITE:
BLUE 242 OR 243
ONE DROP

REFERENCE ONLY
(FOR INSTALLATION
INTO FORK)

TORQUE:
50±5 IN.LB.

Rebound Knobs:
210-24-032: Knob, Rebound Adjust, Grip Extruded, Red, 29
210-22-726: Knob: Rebound Adjust, Extruded, Red, Grip

241-00-005
Fastener, Custom: Nut, Bottom, R_RL_RLC

FOX FOX Factory, Inc. Ph 831-768-1100
130 Hangar Way, Watsonville, CA 95076 USA Fax 831-768-9312

TITLE
2018 32mm 27.5in/29in 80-120
Rhythm GRIP Cartridges Complete

SIZE DWG. NO.
C
PLOT SCALE 0.75:1 SHEET 1 OF 2

- PROPRIETARY -
THIS DOCUMENT CONTAINS CONFIDENTIAL, PROPRIETARY INFORMATION
THAT IS FOX PROPERTY. DO NOT DISCLOSE TO OR DUPLICATE
FOR OTHERS EXCEPT AS AUTHORIZED BY FOX.

4

3

2

1

ProE ASSEM