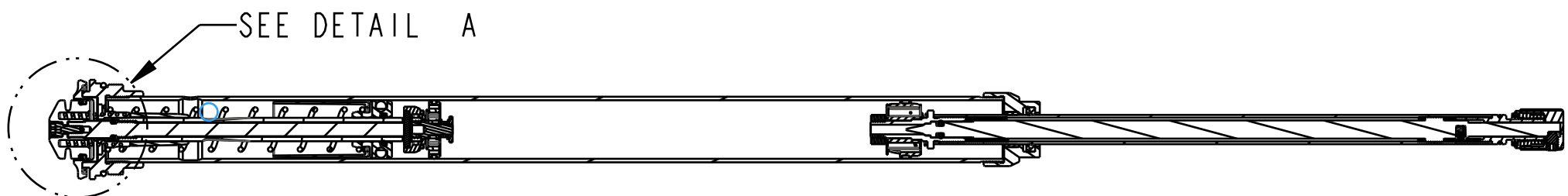


4

3

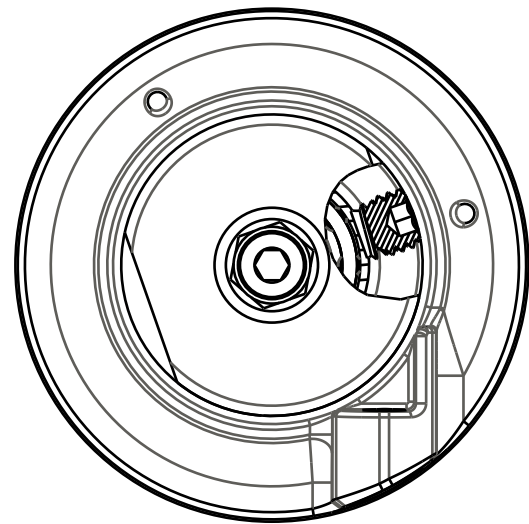
2

1

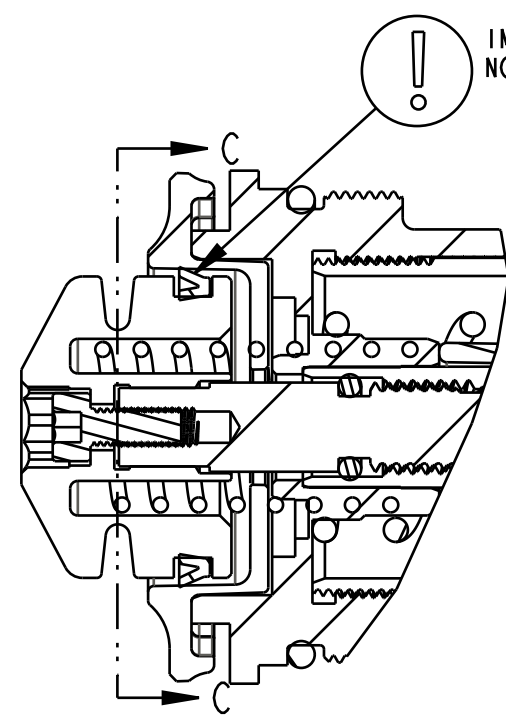


SEE DETAIL A

SECTION A-A
SCALE 0.500



SECTION C-C



DETAIL A
SCALE 2.000

IMPORTANT:
NOTE SEAL ORIENTATION

Rebound Knob Screws:
 019-01-048: Fastener, Standard (Metric): Screw [M2.5 X 6mm] Socket Head Cap, Stainless
 018-01-004-A: Fastener, Standard: Screw [#8-32 X 0.250 TLG] 303 SS, Socket Set Half Dog Point

REFERENCE ONLY
(FOR INSTALLATION
INTO FORK)

TORQUE:
 50 ± 5
 (IN-LB)

LOCTITE:
 BLUE 242 OF 243
 ONE DROP

TORQUE:
 5.0 ± 0.5 IN.LB.

Rebound Knobs:
 210-24-089: Knob: Rebound Adj, Extruded, FIT4 Lightweight, 29in Fork
 210-24-178: Knob: Rebound Adj, Extruded, FIT4 Lightweight, 29in Fork, Long
 210-22-726: Knob: Rebound Adjust, Extruded, Red, Grip
 210-24-032: Knob, Rebound Adjust, Grip Extruded, Red, 29

241-00-005
 Fastener, Custom: Nut, Bottom, R_RL_RLC

Bottom Stud Interface Parts:
 820-05-228-KIT: 2017 FIT4 Bottom Stud Interface Parts, 32, SC, 29in Fork
 820-05-239-KIT: 2017 FIT4 Bottom Stud Interface Parts, 32, SC, 27.5in Fork
 820-05-326-KIT: 2017 34 29in Grip Bottom Stud Interface Parts
 820-05-374-KIT: 2017 Grip Bottom Stud Interface Parts

241-01-002-C
 Fastener, Custom: Crush Washer, Plastic, R_RL_RLC

TORQUE: NEEDLE TO $3.5 \pm .25$ IN-LB
 BEFORE INSTALLING REMOTE ASSEMBLY
 TORQUE TO 1.5 IN-LB FOR CARTRIDGE DYNO

820-05-445-KIT
 2018 Grip Remote, Topcap Interface Parts

210-24-285
 Cable Pulley Remote, Grip

TORQUE:
 220 ± 5 IN.LB.

REFERENCE ONLY
(FOR INSTALLATION
INTO FORK)

210-24-259
 Damping Adjust Part: Housing, Remote, Hubless, FIT4

039-00-404
 Spring: Torsion, Remote, 2018 Grip

TORQUE:
 6 ± 1 IN.LB.

GREASE:
 THIN LAYER BLUE MARINE GREASE
 ID AND OD

036-01-044
 Seals: U-Cup, Shore 70A, 2013 CTD-ADJ, Remote Fit-CTD and Remote O/C-CTD

019-01-140
 Fastener: Custom (Metric): Socket Set Screw [M4 x .7mm x 3mm], SST, Patchlock

019-01-115
 Fastener Standard (Metric): Screw, Socket Head, M2.5 X 8

PROPRIETARY
 THIS DOCUMENT CONTAINS CONFIDENTIAL, PROPRIETARY INFORMATION
 THAT IS FOX PROPERTY. DO NOT DISCLOSE TO OR DUPLICATE
 FOR OTHERS EXCEPT AS AUTHORIZED BY FOX.

FOX FOX Factory, Inc. Ph 831-768-1100
 130 Hangar Way, Watsonville, CA 95076 USA Fax 831-768-9312

TITLE
 2018 32mm 27.5in/29in GRIP
 Remote Cartridge Assemblies Complete

SIZE DWG. NO.
C
 PLOT SCALE 0.75 SHEET 1 OF 1

4

3

2

1

ProE ASSEM