

Seals: O-Ring [16.5mm ID X 1.5mm CS] Metric, N-70, Static

029-08-059

039-00-205  
Spring, Comp. Check

044-06-060  
Valve: [.600 X .252 X .006]

GREASE:  
THIN LAYER  
OF SLICK HONEY

040-20-066  
Valve: [0.660 OD X 0.377 ID X 0.020 TH]

IMPORTANT:  
NOTE ORIENTATION  
OF SPRING

210-22-877  
Reflow Cap, FIT 4

OIL:  
THIN LAYER OF FOX  
DAMPER OIL ON OD AND ID

210-22-887  
Bladder Seal Ring Lower, FIT4

TORQUE:  
55±5 IN.LB.

038-00-063  
RING: INTERNAL SMALLLEY (VH-100-S02)

GREASE:  
THIN LAYER  
OF SLICK HONEY

210-22-303  
Bladder, 010 RL\_RLC

210-22-997  
Compression Piston Clamp, FIT4

210-22-996  
Shaft: Coupler, 0.375" OD X 0.254" ID, 7075-T6, FIT4

IMPORTANT:  
MAKE SURE  
IS FULLY SEATED

GREASE:  
THIN LAYER  
OF SLICK HONEY

029-03-020  
O-Ring (-020) [.070 C.S. X .864 ID]

IMPORTANT:  
DO NOT SEAT UNTIL  
ENTIRE CART. IS TORQUED

TORQUE:  
75±5 IN.LB.  
COMPRESSION CLAMP INTO TOPCAP ONLY

210-22-886  
Bladder Seal Ring Upper, FIT4

TORQUE:  
55±5 IN.LB.

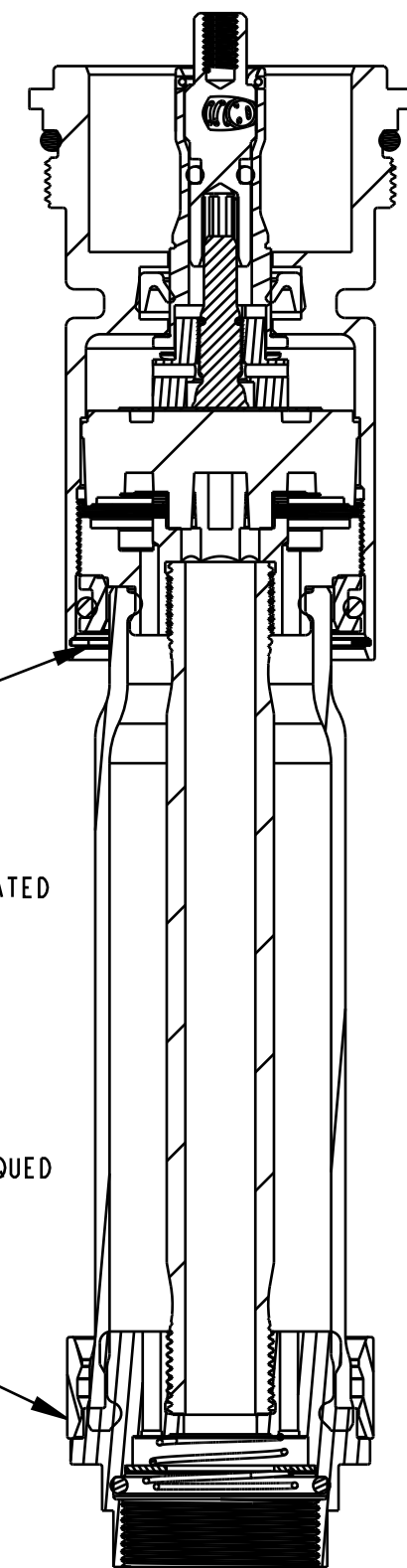
820-03-544-KIT  
2018 FIT4 F-S Compression Valving Assy, E18

Topcap Parts:  
820-03-540-KIT: 2018 FIT4 F-S Top Cap Parts, Remote, U-Cup, Push-Unlock  
820-03-537-KIT: 2018 FIT4 F-S Top Cap Parts, Remote, U-Cup, Push-Lock  
820-03-532-KIT: 2018 FIT4 F-S Top Cap Parts, Remote, U-Cup

036-01-093  
Seals: U-cup, Low Friction, 9mm Shaft

029-03-022-A  
Seals: O-Ring [(-022) .070 C.S. X 0.989 ID] Standard, N-70, Static

TOPCAP BODY



**FOX** FOX Factory, Inc. Ph 831-768-1100  
130 Hangar Way, Watsonville, CA 95076 USA Fax 831-768-9312

TITLE  
2018 32mm F-S Remote, U-Cup,  
Long Travel, Topcap Assemblies

SIZE DWG. NO.  
C  
PLOT SCALE | .00 : 1 | SHEET | OF | 1

PROPRIETARY  
THIS DOCUMENT CONTAINS CONFIDENTIAL, PROPRIETARY INFORMATION  
THAT IS FOX PROPERTY. DO NOT DISCLOSE TO OR DUPLICATE  
FOR OTHERS EXCEPT AS AUTHORIZED BY FOX.