

4

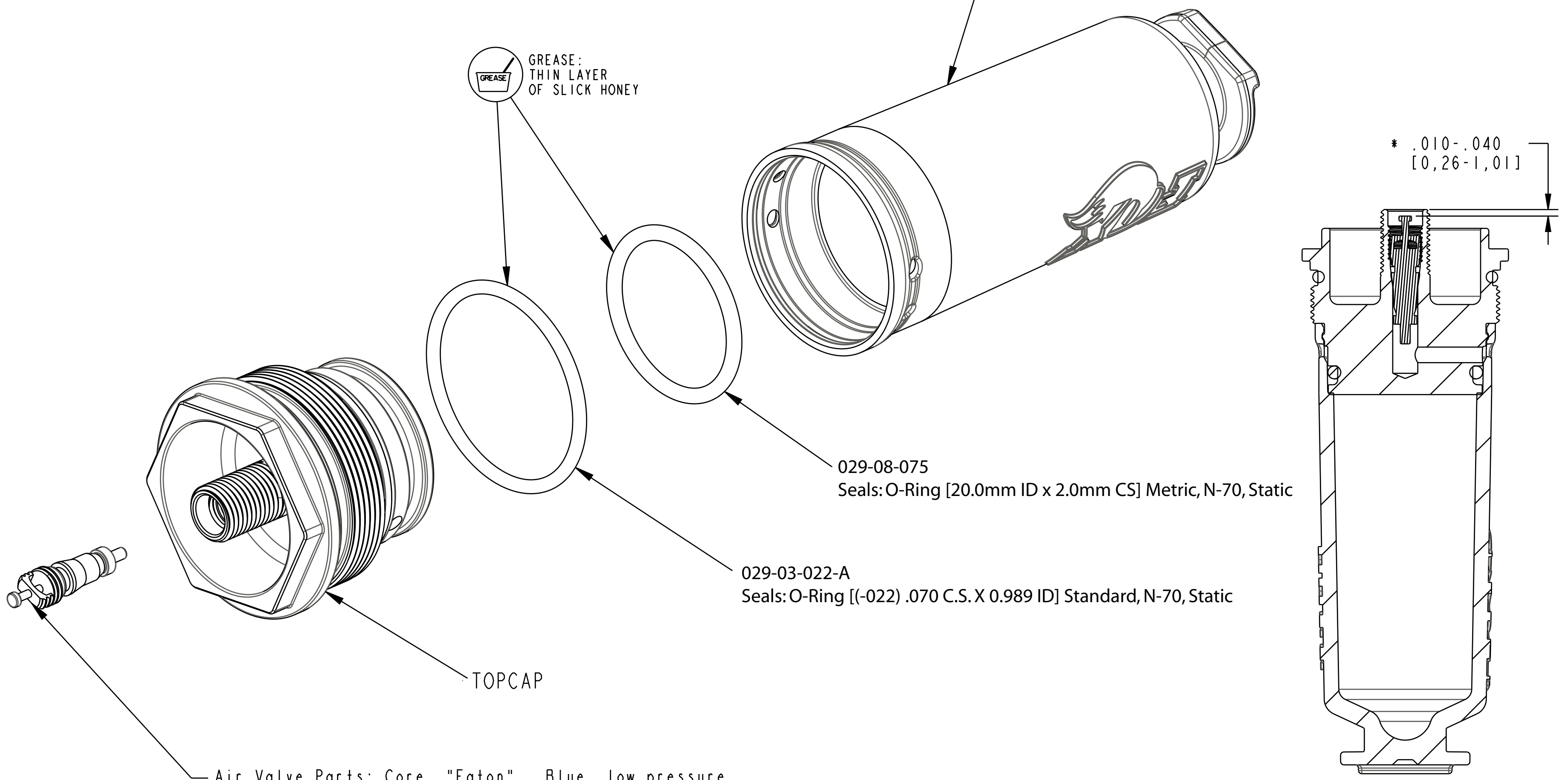
3

2

1

Hollow Volume Spacers  
 234-04-910: Volume Spacer, Hollow, FLOAT NA 2, 32, 33cc  
 234-04-912: Volume Spacer, Hollow, FLOAT NA 2, 32, 22cc

GREASE:  
 THIN LAYER  
 OF SLICK HONEY



Air Valve Parts: Core, "Eaton", Blue, low pressure

TOPCAP

029-03-022-A  
 Seals: O-Ring [(-022) .070 C.S. X 0.989 ID] Standard, N-70, Static

029-08-075  
 Seals: O-Ring [20.0mm ID x 2.0mm CS] Metric, N-70, Static

\* .010-.040  
 [0,26-1,01]

**FOX** FOX Factory, Inc. Ph 831-768-1100  
 130 Hangar Way, Watsonville, CA 95076 USA Fax 831-768-9312

TITLE  
**2018 32mm FLOAT NA2 Hollow  
 Volume Spacer Topcap Assemblies**

SIZE DWG. NO.  
**C**

PLOT SCALE 2.00:1 SHEET 1 OF 1

- PROPRIETARY -  
 THIS DOCUMENT CONTAINS CONFIDENTIAL, PROPRIETARY INFORMATION  
 THAT IS FOX PROPERTY. DO NOT DISCLOSE TO OR DUPLICATE  
 FOR OTHERS EXCEPT AS AUTHORIZED BY FOX.

4

3

2

ProE ASSEM