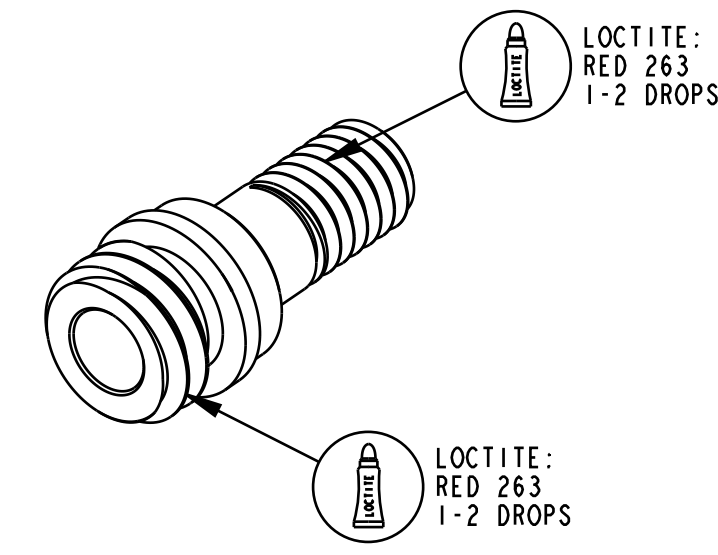


4

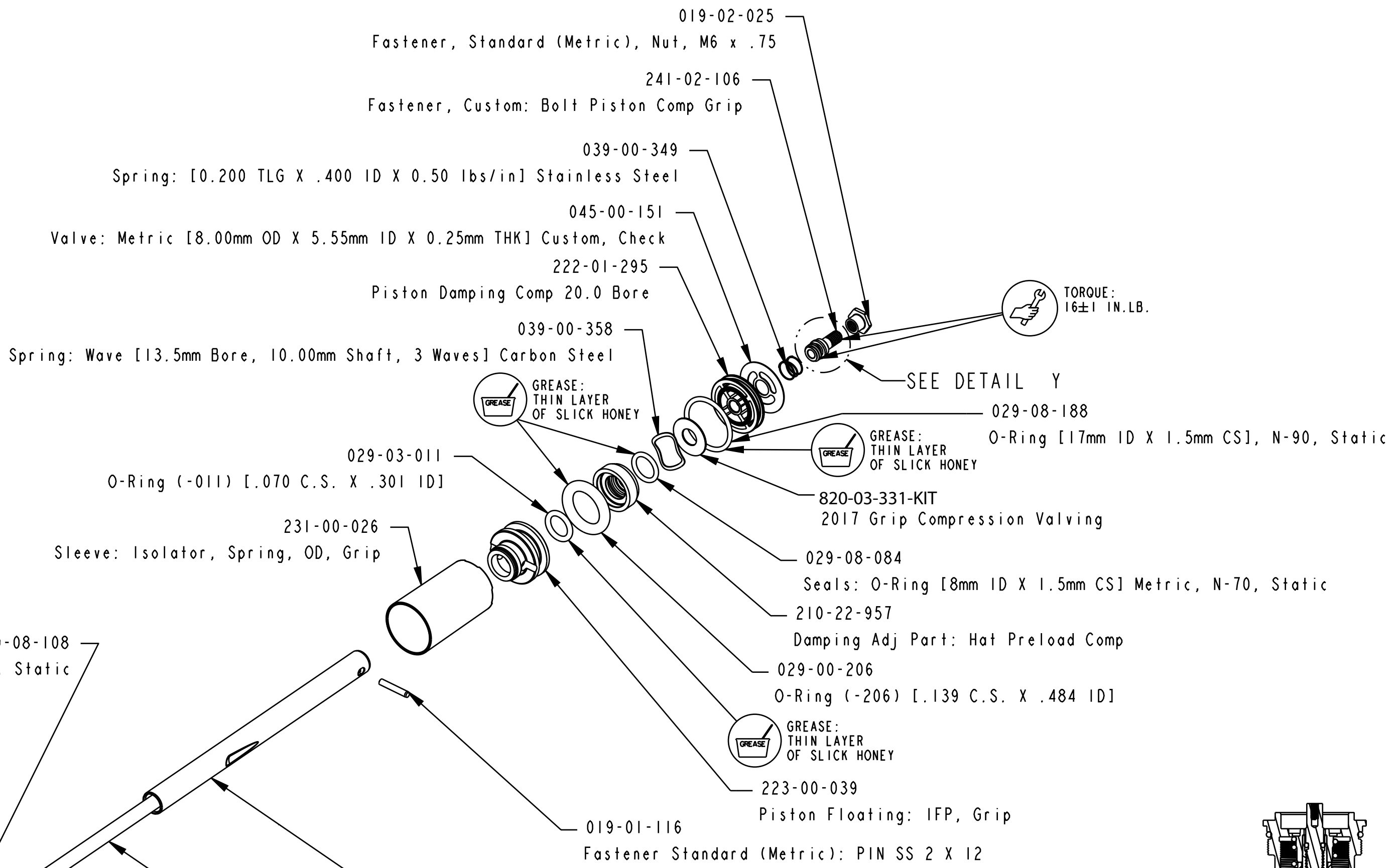
3

2

1



DETAIL Y
SCALE 4.000



Compression Shafts:
 229-10-093: Shaft, Damper, Comp, 8mm, Grip Remote
 229-10-251: Shaft, Damper, Comp, 8mm, Grip SC Remote

Compression Needles:
 210-24-086: Damping Adj Part: Needle, Comp, Grip Remote
 210-24-141: Damping Adj Part: Needle, Comp, Grip SC Remote

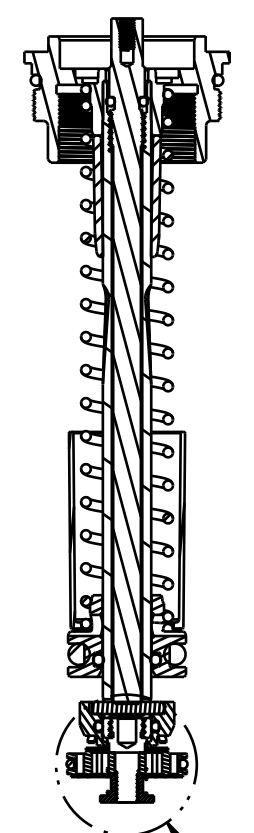
IFP Spring:
 039-00-378: Spring, Piston, Floating, Grip 160
 039-00-379: Spring, Piston, Floating, Grip 100

IMPORTANT:
 NOTE ORIENTATION
 THIS END TAPERED

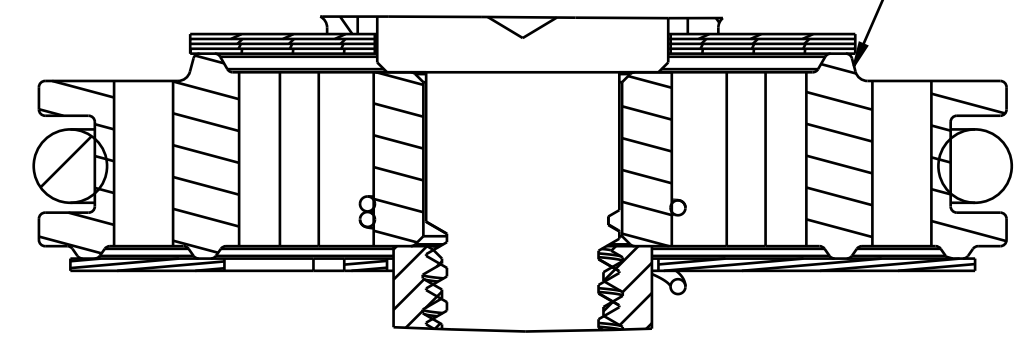
231-00-025
 Sleeve: Isolator, Spring, ID, Grip

029-03-022-A
 Seals: O-Ring [(-022) .070 C.S. X 0.989 ID] Standard, N-70, Static

TOPCAP BODY



SECTION A-A
 SEE DETAIL Z



DETAIL Z
 SCALE 10.000

PROPRIETARY
 THIS DOCUMENT CONTAINS CONFIDENTIAL, PROPRIETARY INFORMATION
 THAT IS FOX PROPERTY. DO NOT DISCLOSE TO OR DUPLICATE
 FOR OTHERS EXCEPT AS AUTHORIZED BY FOX.

FOX FOX Factory, Inc. Ph 831-768-1100
 130 Hangar Way, Watsonville, CA 95076 USA Fax 831-768-9312
 TITLE 2018 32mm GRIP Remote
 Topcap Assemblies
 SIZE DWG. NO. C
 PLOT SCALE 0.80:1 SHEET 1 OF 1