

4

3

2

1

D

D

C

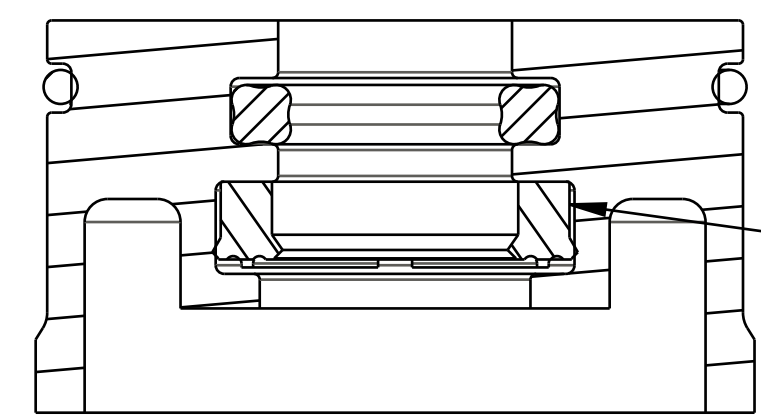
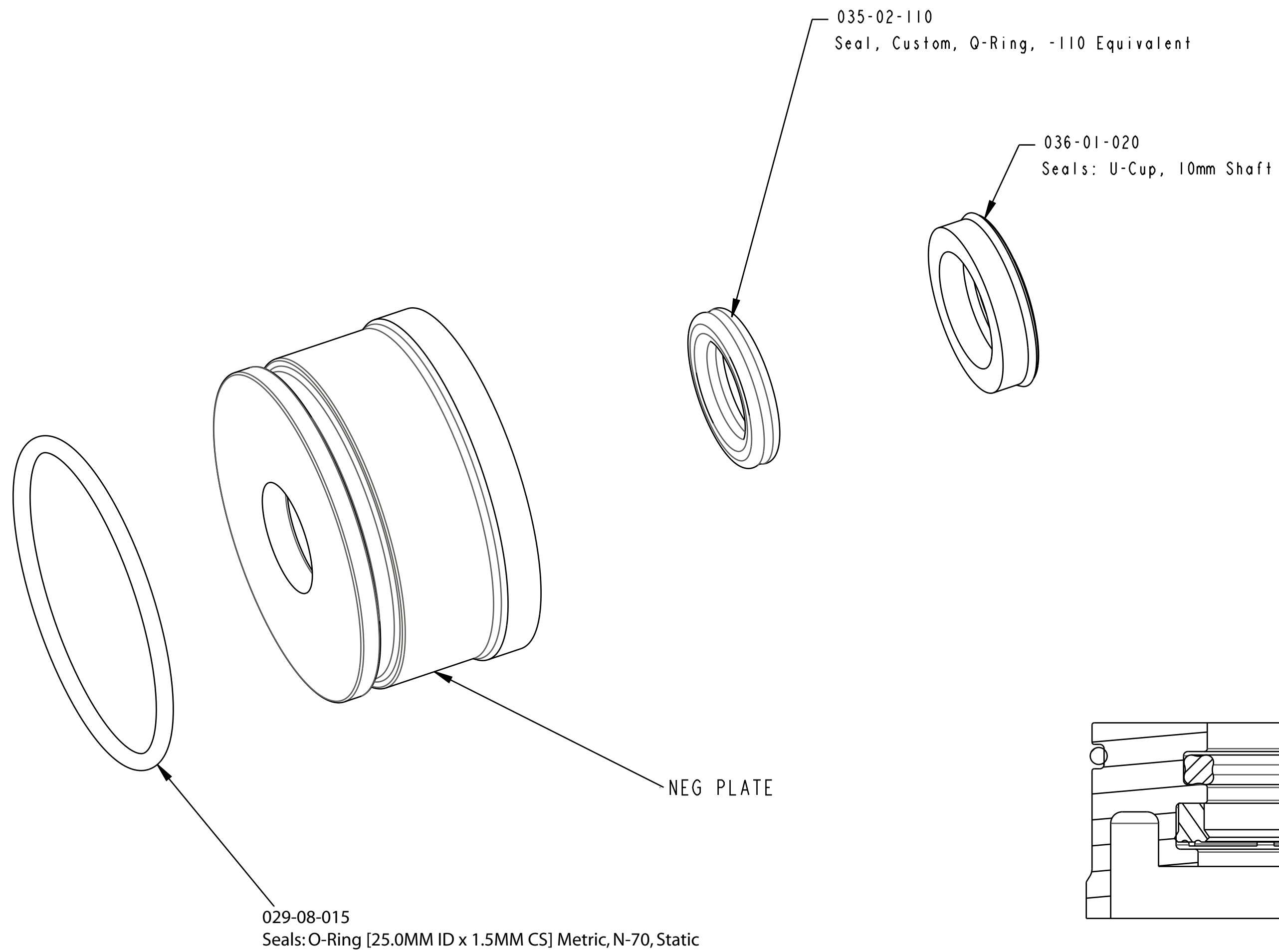
C

B

B

A

A



! IMPORTANT:
NOTE ORIENTATION
OF U-CUP SEAL

- PROPRIETARY -
THIS DOCUMENT CONTAINS CONFIDENTIAL, PROPRIETARY INFORMATION
THAT IS FOX PROPERTY. DO NOT DISCLOSE TO OR DUPLICATE
FOR OTHERS EXCEPT AS AUTHORIZED BY FOX.

| | | | | |
|----------------------------------|----------|---|--|------------------|
| FOX | | FOX Factory, Inc. | | Ph 831-768-1100 |
| | | 130 Hangar Way, Watsonville, CA 95076 USA | | Fax 831-768-9312 |
| TITLE | | | | |
| 2018 32mm FLOAT NA2 Short Travel | | | | |
| 1.117 Bore Neg Plate Subassembly | | | | |
| SIZE | DWG. NO. | 820-02-410-KIT | | |
| C | | | | |
| PLOT SCALE 3.00:1 | | SHEET 1 OF 1 | | |

4

3

2

1

ProE ASSEM