

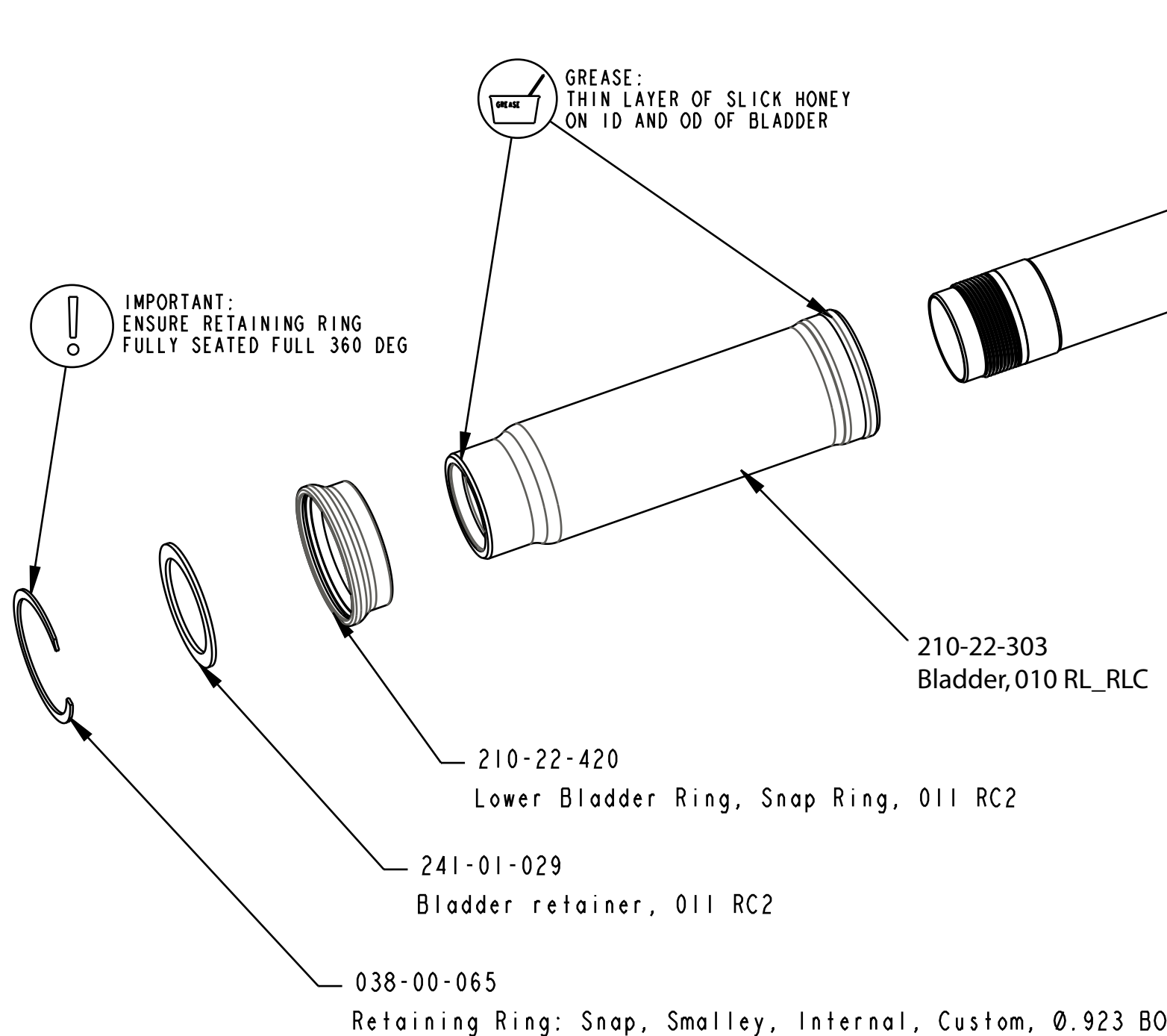
IMPORTANT:
THIN VALVE FACES
COMPRESSION CLAMP

IMPORTANT:
SMALL DIAMETER OF SPRING
FACES COMPRESSION CLAMP

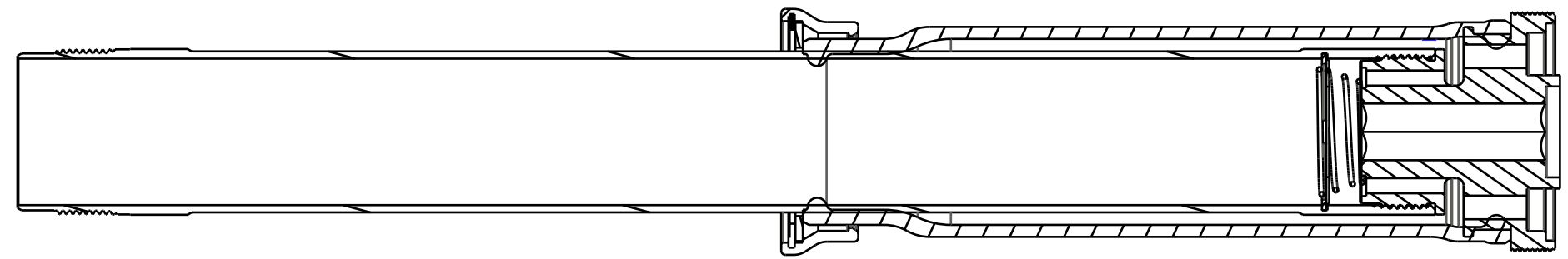
IMPORTANT:
THICKER VALVE FACES
RETAINING RING

GREASE:
THIN LAYER OF SLICK HONEY
ON ID AND OD OF BLADDER

IMPORTANT:
ENSURE RETAINING RING
FULLY SEATED FULL 360 DEG



207-11-130
Pressure Tube, 15.5 Bore, FIT4 Lightweight, 100mm Max Travel



- PROPRIETARY -
THIS DOCUMENT CONTAINS CONFIDENTIAL, PROPRIETARY INFORMATION
THAT IS FOX PROPERTY. DO NOT DISCLOSE TO OR DUPLICATE
FOR OTHERS EXCEPT AS AUTHORIZED BY FOX.

FOX FOX Factory, Inc.		Ph 831-768-1100
130 Hangar Way, Watsonville, CA 95076 USA		Fax 831-768-9312
TITLE	2017 32 27.5in and 29in 80-100 FIT4 Lightweight, Bladder Assy	
SIZE	DWG. NO.	820-03-281-KIT
PLOT SCALE .50 : 1		SHEET OF 1