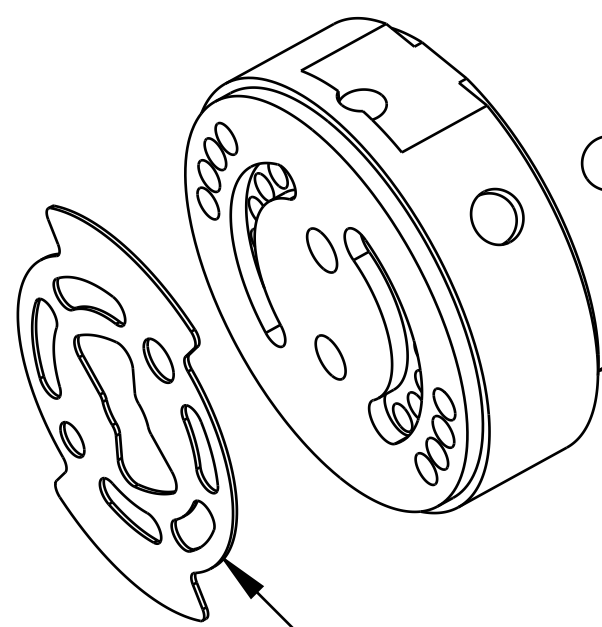
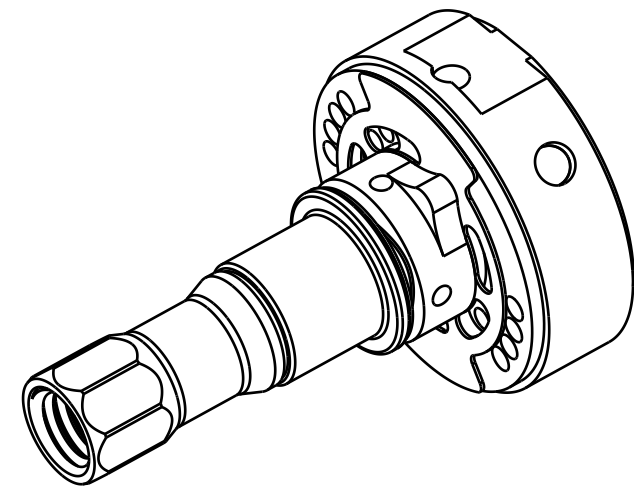


4

3

2

1



010-01-012
Ball [Ø.1094]

222-01-307
Piston, Compression, FIT4, Dished, Aluminum

210-24-370
2018 FIT4 Remote, Butterfly Valve, Large Tabs, U-Cup, Push-Unlock

210-22-879
Selector Shaft, FIT4 Damper

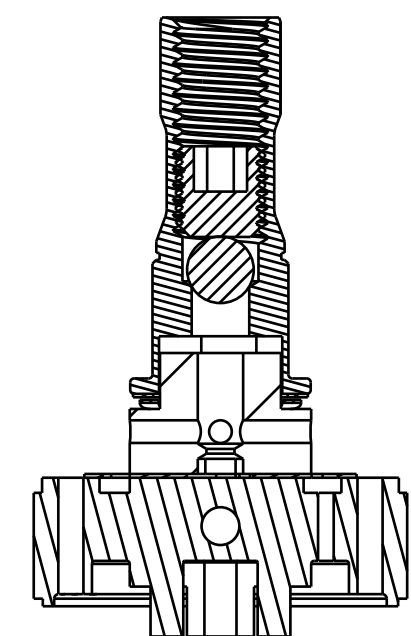
039-00-241
Spring: Wave [.322 ID x .420 OD, 3 Waves] SS

210-24-355
Shaft, Compression Selector, FIT4, Remote, U-Cup

210-24-316
Bearing, Thrust, Teflon, FIT4, Selector Shaft, 2018

010-01-001
Ball [Ø 0.1875] Steel

019-01-107
Socket Set Screw [M6 x 1.0mm x 6mm] Flat Pt, SST



SECTION A-A

FOX		FOX Factory, Inc.	Ph 831-768-1100
		130 Hangar Way, Watsonville, CA 95076 USA	Fax 831-768-9312
TITLE			
2018 FIT4 Light Weight P-S Top Cap			
Parts, Remote, U-Cup, P-Unlock			
SIZE	DWG. NO.	820-03-543-KIT	
C			
PLOT SCALE 2.00:1		SHEET 1 OF 1	

PROPRIETARY
THIS DOCUMENT CONTAINS CONFIDENTIAL, PROPRIETARY INFORMATION
THAT IS FOX PROPERTY. DO NOT DISCLOSE TO OR DUPLICATE
FOR OTHERS EXCEPT AS AUTHORIZED BY FOX.

4

3

2

1