

4

3

2

1

D

D

C

C

B

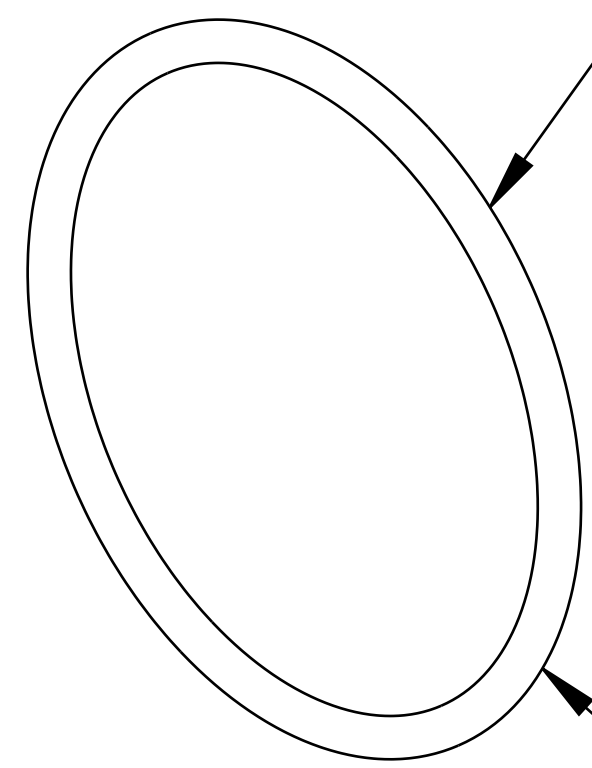
B

A

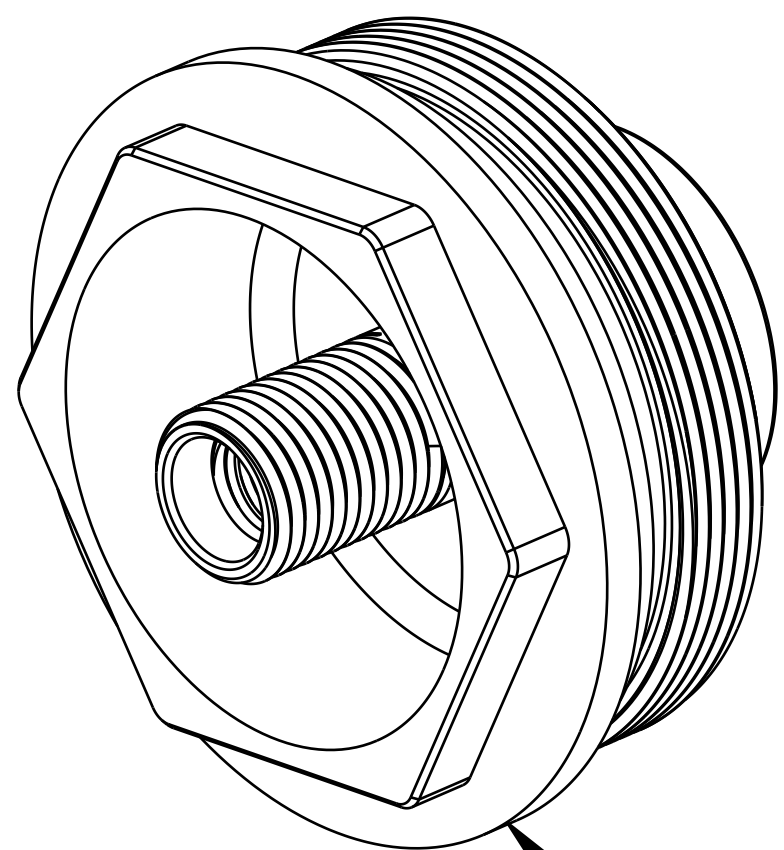
A



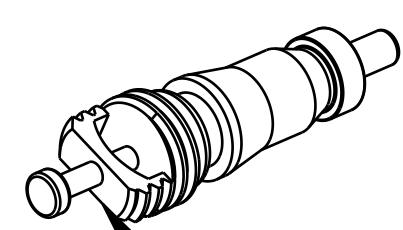
GREASE:
THIN LAYER
OF SLICK HONEY



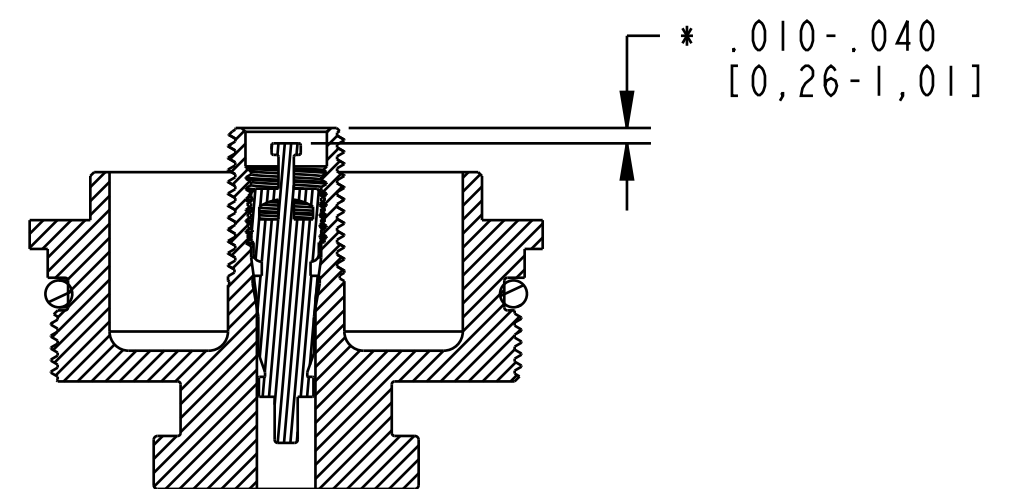
029-03-022-A
Seals: O-Ring [(-022) .070 C.S. X 0.989 ID] Standard, N-70, Static



TOPCAP



Air Valve Parts: Core, "Eaton", Blue, low pressure



SECTION A-A

- PROPRIETARY -
THIS DOCUMENT CONTAINS CONFIDENTIAL, PROPRIETARY INFORMATION
THAT IS FOX PROPERTY. DO NOT DISCLOSE TO OR DUPLICATE
FOR OTHERS EXCEPT AS AUTHORIZED BY FOX.

FOX		FOX Factory, Inc.	Ph 831-768-1100
		130 Hangar Way, Watsonville, CA 95076 USA	Fax 831-768-9312
TITLE			
2018 32mm FLOAT NA2 SC Topcap Assembly			
SIZE DWG. NO.		820-05-417-KIT	
C			
PLOT SCALE 2.00:1		SHEET 1 OF 1	

4

3

2

1

ProE ASSEM