

4

3

2

1

D

D

C

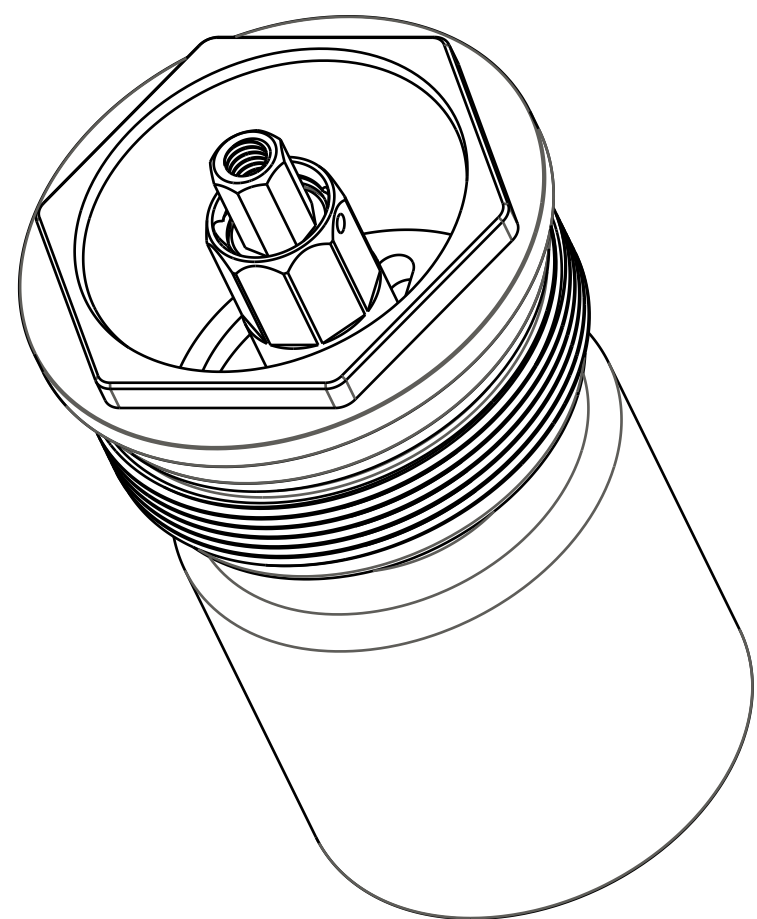
C

B

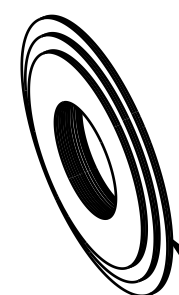
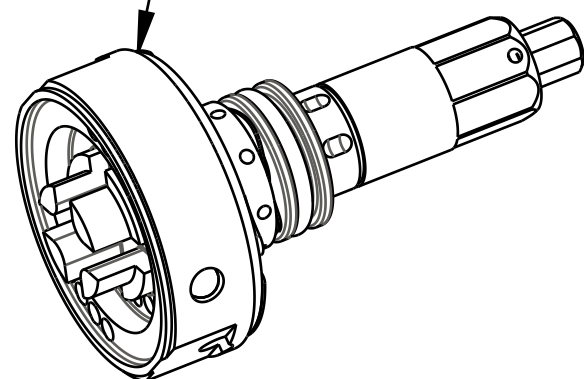
B

A

A



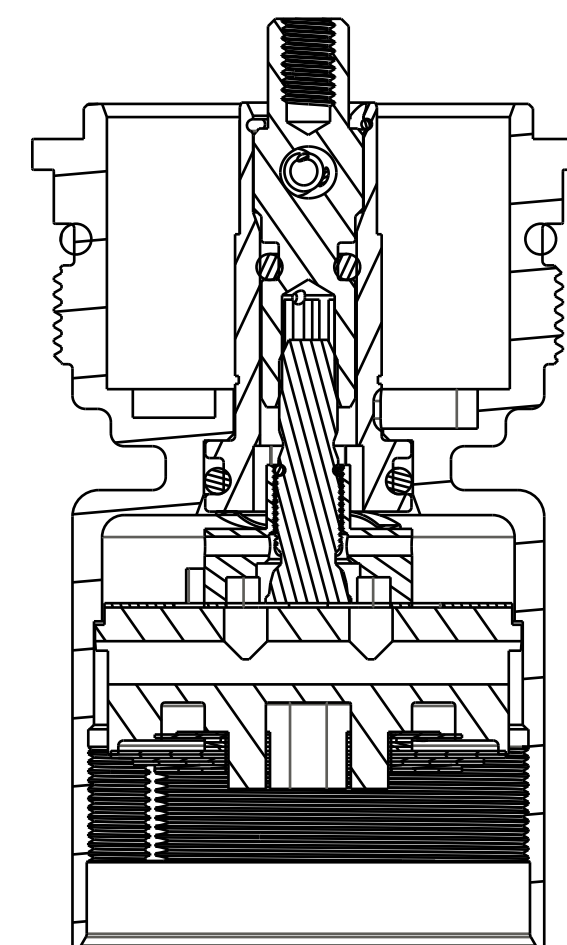
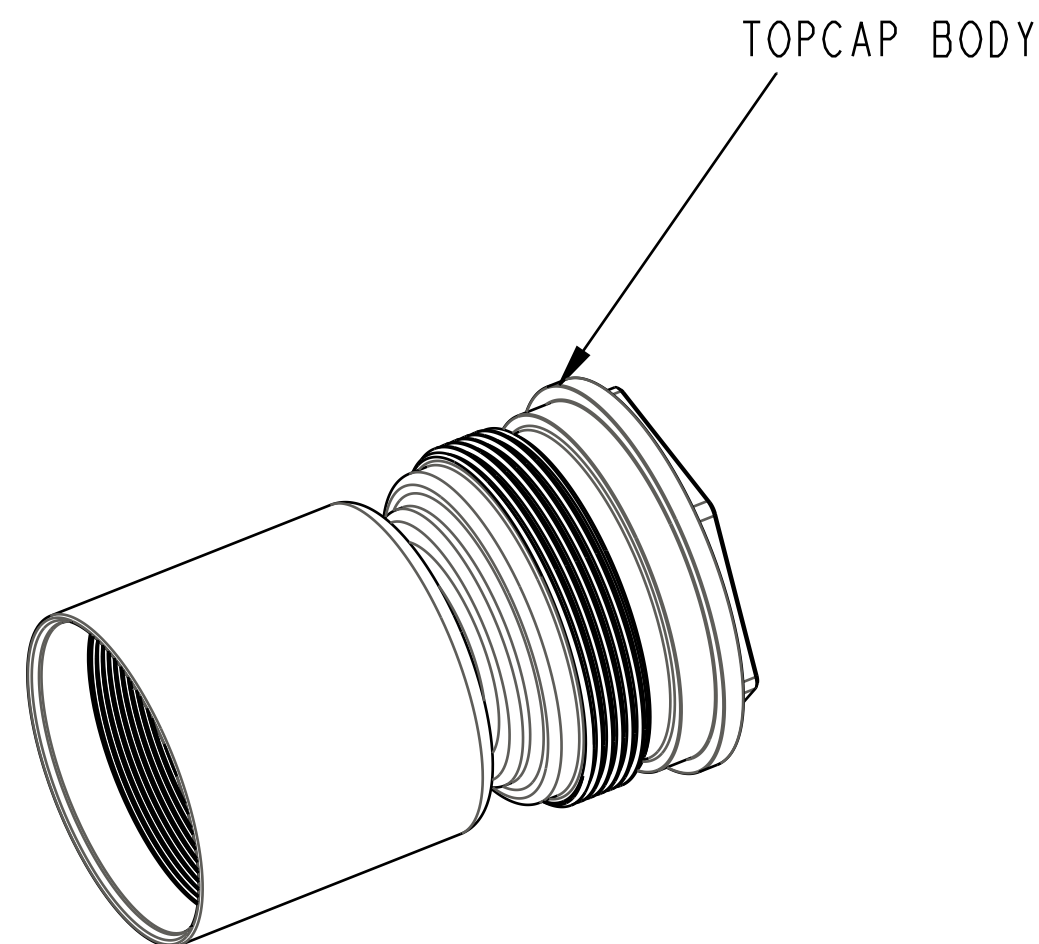
820-03-258-KIT
2017 FIT4 Lightweight Top Cap Parts




820-03-522-KIT
2017 FIT4 SC Compression Valving Assy, VC49



029-03-022-A
Seals: O-Ring [(-022) .070 C.S. X 0.989 ID] Standard, N-70, Static



- PROPRIETARY -
THIS DOCUMENT CONTAINS CONFIDENTIAL, PROPRIETARY INFORMATION
THAT IS FOX PROPERTY. DO NOT DISCLOSE TO OR DUPLICATE
FOR OTHERS EXCEPT AS AUTHORIZED BY FOX.

TITLE	 FOX Factory, Inc. 130 Hangar Way, Watsonville, CA 95076 USA Ph 831-768-1100 Fax 831-768-9312	
	2018 32mm FIT4 SC Topcap Assembly	
SIZE	DWG. NO.	
C	820-05-421-KIT	
PLOT SCALE .50:1		SHEET OF

4

3

2

1