

4

3

2

1

D

D

C

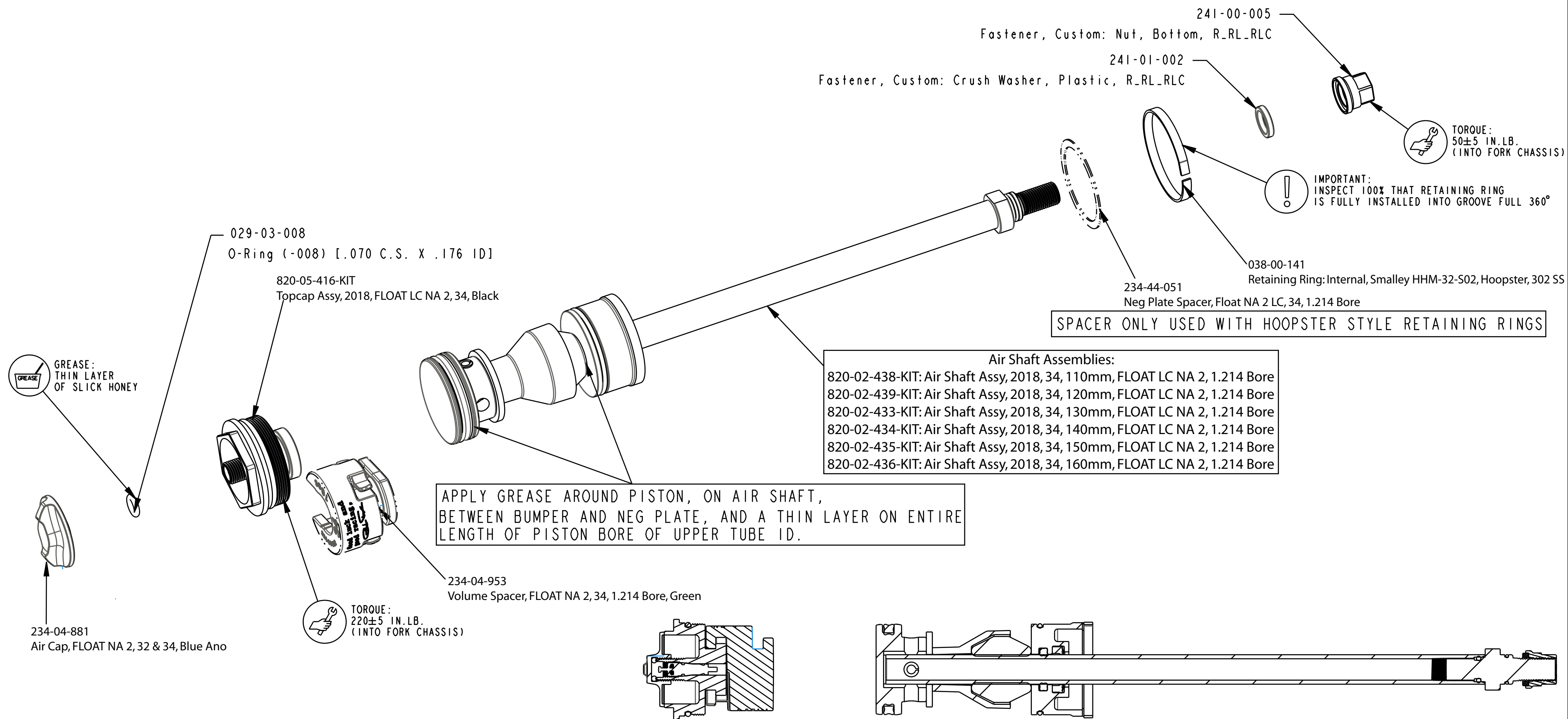
C

B

B

A

A



241-00-005
Fastener, Custom: Nut, Bottom, R_RL_RLC

241-01-002
Fastener, Custom: Crush Washer, Plastic, R_RL_RLC

038-00-141
Retaining Ring: Internal, Smalley HHM-32-S02, Hoopster, 302 SS

234-44-051
Neg Plate Spacer, Float NA 2 LC, 34, 1.214 Bore

TORQUE:
50±5 IN. LB.
(INTO FORK CHASSIS)

IMPORTANT:
INSPECT 100% THAT RETAINING RING
IS FULLY INSTALLED INTO GROOVE FULL 360°

029-03-008
O-Ring (-008) [.070 C.S. X .176 ID]

820-05-416-KIT
Topcap Assy, 2018, FLOAT LC NA 2, 34, Black

GREASE:
THIN LAYER
OF SLICK HONEY

234-04-881
Air Cap, FLOAT NA 2, 32 & 34, Blue Ano

TORQUE:
220±5 IN. LB.
(INTO FORK CHASSIS)

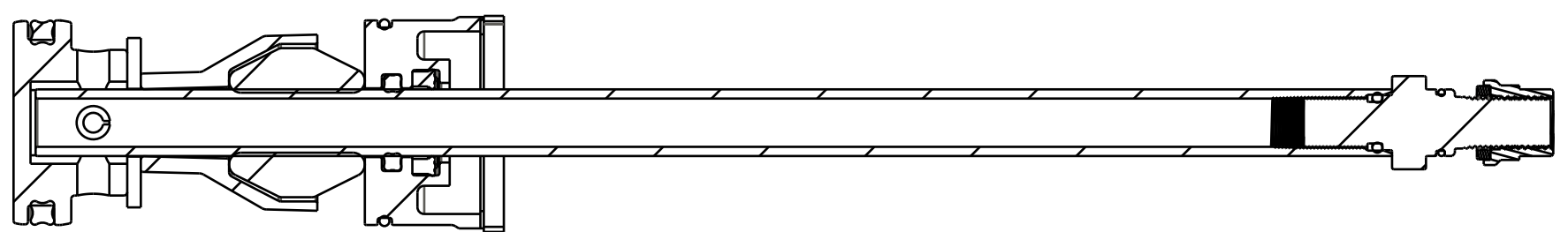
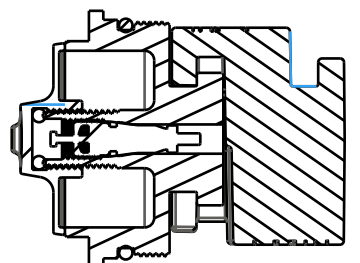
APPLY GREASE AROUND PISTON, ON AIR SHAFT,
BETWEEN BUMPER AND NEG PLATE, AND A THIN LAYER ON ENTIRE
LENGTH OF PISTON BORE OF UPPER TUBE ID.

234-04-953
Volume Spacer, FLOAT NA 2, 34, 1.214 Bore, Green

Air Shaft Assemblies:

820-02-438-KIT: Air Shaft Assy, 2018, 34, 110mm, FLOAT LC NA 2, 1.214 Bore
 820-02-439-KIT: Air Shaft Assy, 2018, 34, 120mm, FLOAT LC NA 2, 1.214 Bore
 820-02-433-KIT: Air Shaft Assy, 2018, 34, 130mm, FLOAT LC NA 2, 1.214 Bore
 820-02-434-KIT: Air Shaft Assy, 2018, 34, 140mm, FLOAT LC NA 2, 1.214 Bore
 820-02-435-KIT: Air Shaft Assy, 2018, 34, 150mm, FLOAT LC NA 2, 1.214 Bore
 820-02-436-KIT: Air Shaft Assy, 2018, 34, 160mm, FLOAT LC NA 2, 1.214 Bore

SPACER ONLY USED WITH HOOPSTER STYLE RETAINING RINGS



SECTION A-A

PROPRIETARY
THIS DOCUMENT CONTAINS CONFIDENTIAL, PROPRIETARY INFORMATION
THAT IS FOX PROPERTY. DO NOT DISCLOSE TO OR DUPLICATE
FOR OTHERS EXCEPT AS AUTHORIZED BY FOX.

FOX Factory, Inc. Ph 831-768-1100
130 Hangar Way, Watsonville, CA 95076 USA Fax 831-768-9312

TITLE
**2018 34mm 110-160 FLOAT
NA2 Air Spring Assemblies**

SIZE DWG. NO.
C

PLOT SCALE | .00 : 1 | SHEET | OF | 1

4

3

2

1

ProE ASSEM