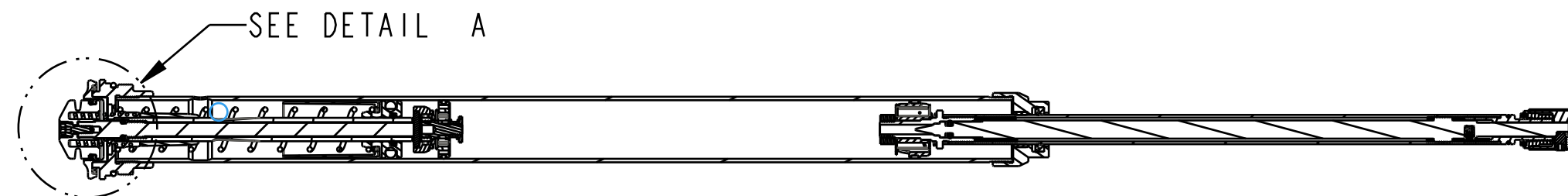


4

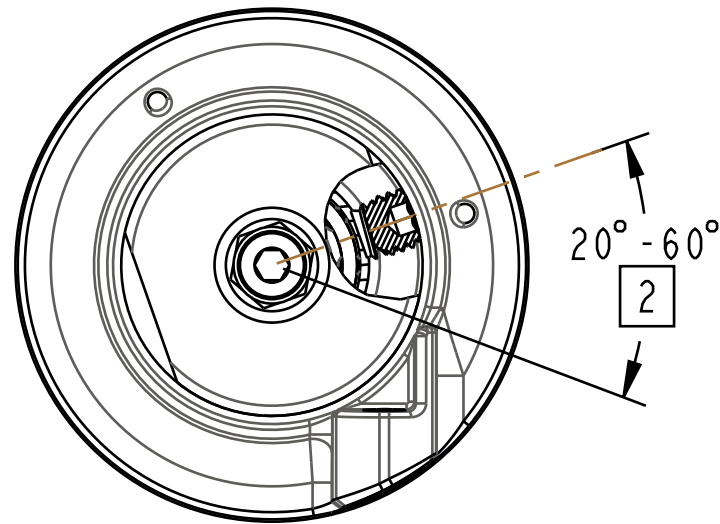
3

2

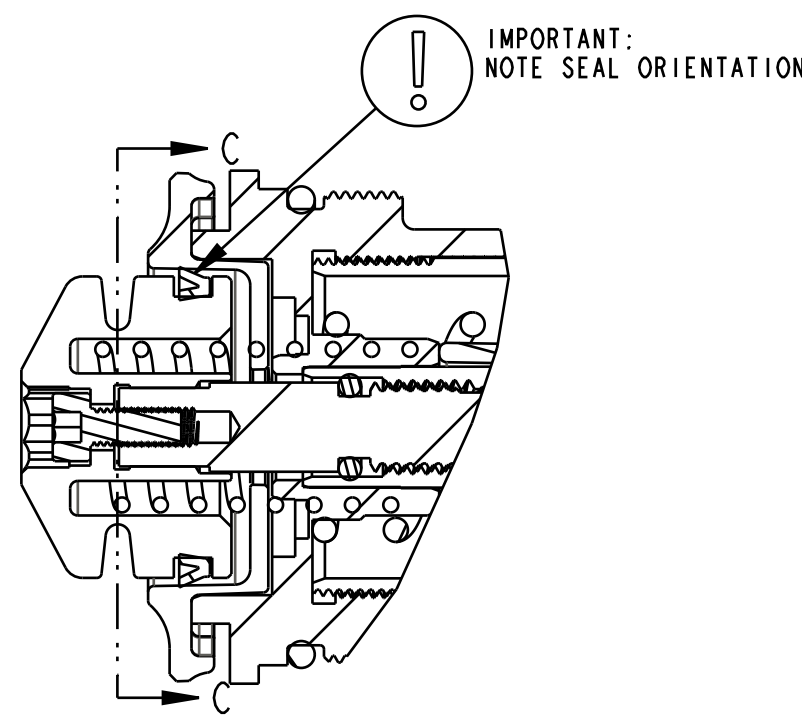
1



SECTION A-A  
SCALE 0.500



SECTION C-C



DETAIL A  
SCALE 2.000

018-01-004-A  
Fastener, Standard: Screw [#8-32 X 0.250 TLG]

REFERENCE ONLY  
(FOR INSTALLATION  
INTO FORK)

TORQUE:  
150±7  
(IN-LB)

LOCTITE:  
BLUE 242 OF 243  
ONE DROP

TORQUE:  
5.0±0.5 IN.LB.

210-03-178  
Knob, Rebound, 2-Stroke, Knurled, M10 Nut

241-00-011  
Fastener, Custom: Nut, Bottom, R

820-05-328-KIT  
2017 34 27.5 and 29in Grip Bottom Stud Interface Parts

241-01-011  
Fastener, Custom: Crush Washer, Plastic, 13mm

TORQUE: NEEDLE TO 3.5±.25 IN-LB  
BEFORE INSTALLING REMOTE ASSEMBLY  
TORQUE TO 1.5 IN-LB FOR CARTRIDGE DYNO

820-05-445-KIT  
2018 Grip Remote, Topcap Interface Parts

210-24-285  
Cable Pulley Remote, Grip

TORQUE:  
220±5 IN.LB.

REFERENCE ONLY  
(FOR INSTALLATION  
INTO FORK)

210-24-259  
Damping Adjust Part: Housing, Remote, Hubless, FIT4

039-00-404  
Spring: Torsion, Remote, 2018 Grip

TORQUE:  
6±1 IN.LB.

GREASE:  
THIN LAYER BLUE MARINE GREASE  
ID AND OD

036-01-044  
Seals: U-Cup, Shore 70A, 2013 CTD-ADJ, Remote Fit-CTD and Remote O/C-CTD

019-01-140  
Fastener: Custom (Metric): Socket Set Screw [M4 x .7mm x 3mm], SST, Patchlock

019-01-115  
Fastener Standard (Metric): Screw, Socket Head, M2.5 X 8

PROPRIETARY -  
THIS DOCUMENT CONTAINS CONFIDENTIAL, PROPRIETARY INFORMATION  
THAT IS FOX PROPERTY. DO NOT DISCLOSE TO OR DUPLICATE  
FOR OTHERS EXCEPT AS AUTHORIZED BY FOX.

**FOX** FOX Factory, Inc. Ph 831-768-1100  
130 Hangar Way, Watsonville, CA 95076 USA Fax 831-768-9312

TITLE  
2018 34mm 27.5in/29in 80-120 & 130-160  
GRIP Remote Cartridges Complete

SIZE DWG. NO.  
**C**  
PLOT SCALE 0.75 SHEET 1 OF 1