

4

3

2

1

D

D

C

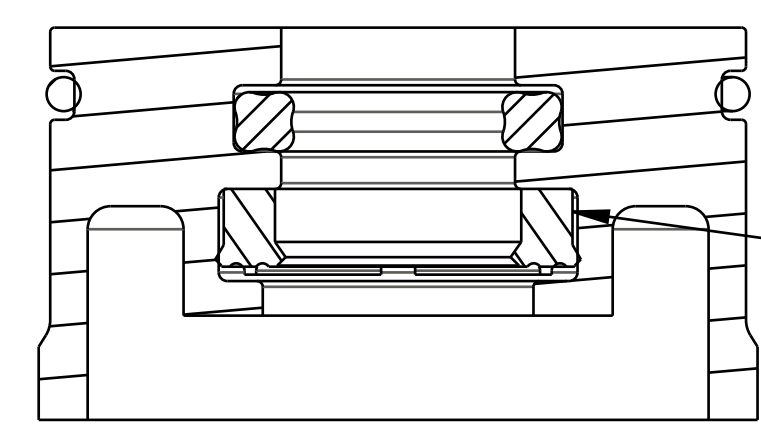
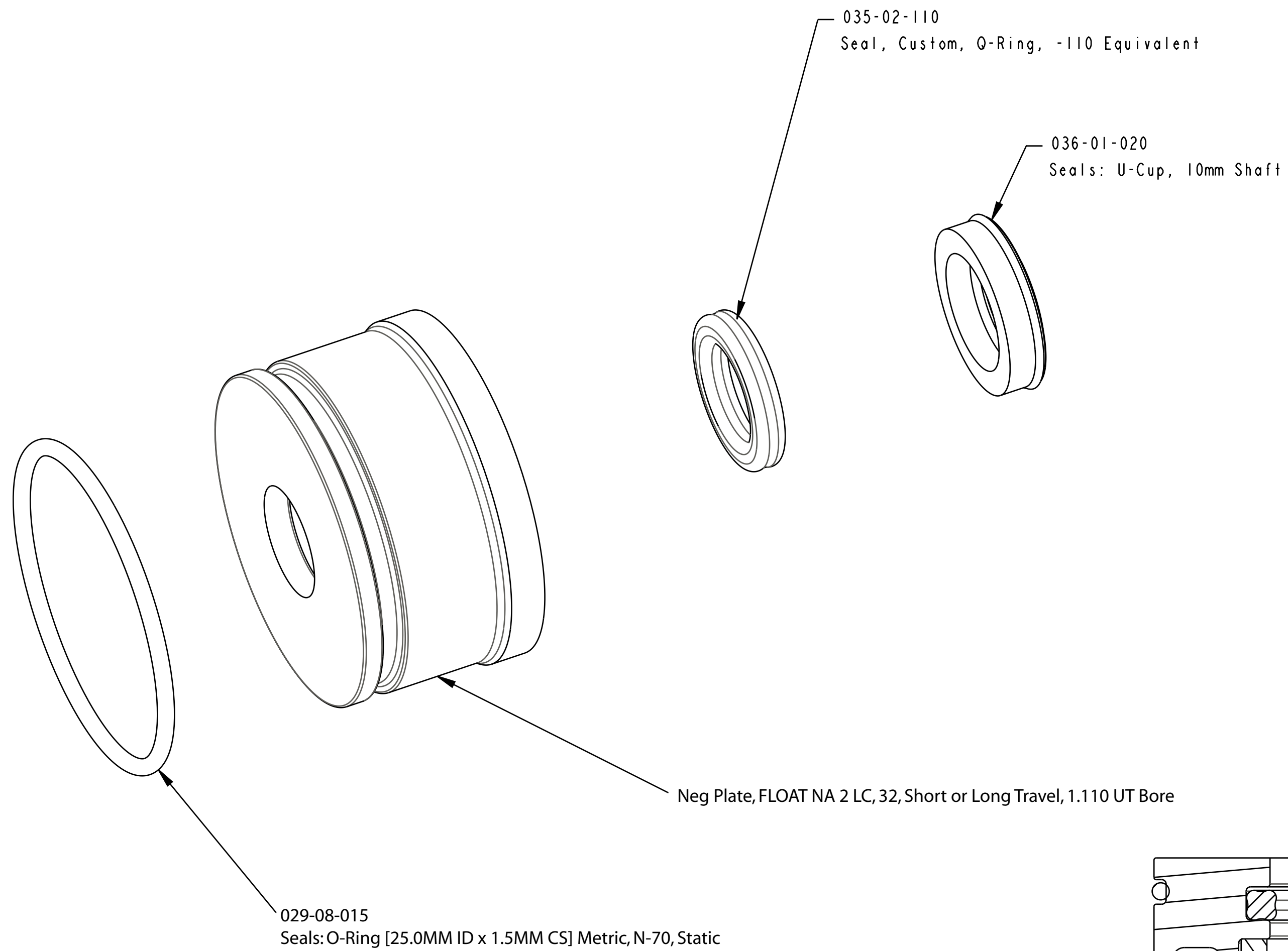
C

B

B

A

A



! IMPORTANT:
NOTE ORIENTATION
OF U-CUP SEAL

- PROPRIETARY -
THIS DOCUMENT CONTAINS CONFIDENTIAL, PROPRIETARY INFORMATION
THAT IS FOX PROPERTY. DO NOT DISCLOSE TO OR DUPLICATE
FOR OTHERS EXCEPT AS AUTHORIZED BY FOX.

		FOX Factory, Inc.	Ph 831-768-1100
		130 Hangar Way, Watsonville, CA 95076 USA	Fax 831-768-9312
TITLE			
2018 FLOAT NA2, 32mm Neg Plate Subassemblies			
SIZE DWG. NO.			
C			
PLOT SCALE 3.00:1		SHEET 1 OF 1	

4

3

2

1

Pr oE ASSEM