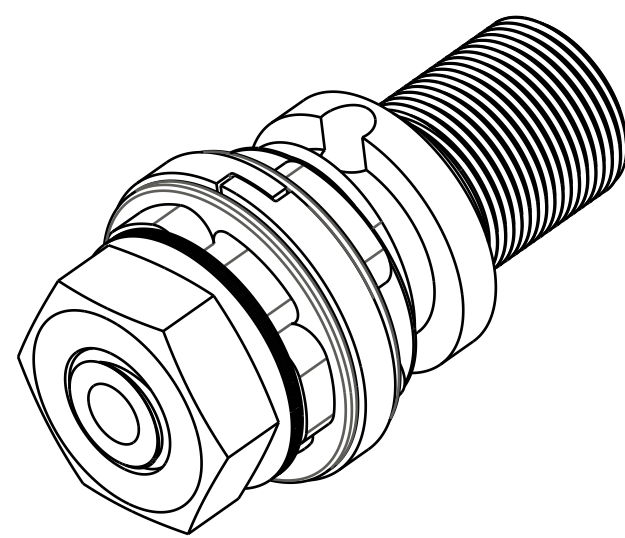


4

3

2

1



039-00-120  
Spring: Rebound Check, 09 36\_40

002-02-011  
Glide Ring, 04 Slim R\_RL\_RLC\_X

Piston: Rebound, Kidney, 35/65 Flow

210-22-881  
Shaft Stud, FIT4

! IMPORTANT:  
ORIENT SPRING SO CLOSED  
END FACES SHAFT STUD

GREASE:  
THIN LAYER  
OF SLICK HONEY

029-08-029  
Seals: O-Ring [7.0MM ID x 1.0MM CS] Metric, N-70, Static

045-00-035  
Valve: Metric [13.0mm OD X 8.1mm ID X 0.15mm TH]

ENSURE VALVES ARE NOT PINCHED DURING ASSEMBLY

! IMPORTANT:  
NOTE PISTON  
ORIENTATION

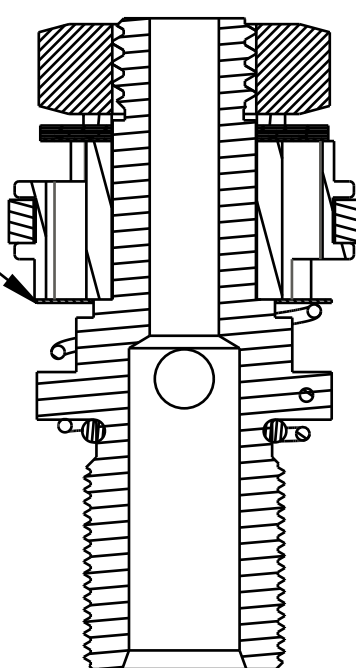
044-04-050  
Valve: [1.500 OD X .252 ID X .0045 TH]

(044-04-050)

044-20-035  
Valve: [1.350 OD X .252 ID X .020 TH]

018-00-012  
Nut [1/4-28 X 5/32 TLG]

TORQUE:  
HAND TIGHT



- PROPRIETARY -  
THIS DOCUMENT CONTAINS CONFIDENTIAL, PROPRIETARY INFORMATION  
THAT IS FOX PROPERTY. DO NOT DISCLOSE TO OR DUPLICATE  
FOR OTHERS EXCEPT AS AUTHORIZED BY FOX.

<b>FOX</b> <b>FOX Factory, Inc.</b>		Ph 831-768-1100
130 Hangar Way, Watsonville, CA 95076 USA		Fax 831-768-9312
TITLE	Rebound Piston Assy 2016 FIT4, Short Travel	
SIZE	DWG. NO.	820-03-486-KIT
C	PLOT SCALE	3.00:1
		SHEET 1 OF 1

4

3

2

ProE ASSEM