

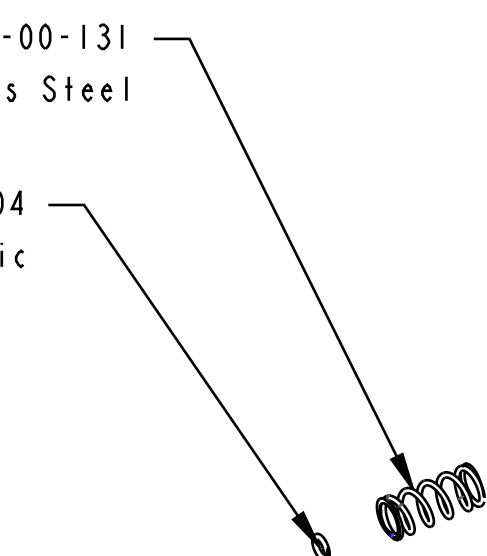
Rebound Piston Assemblies:  
 820-03-321-KIT: 2016 RC2 Rebound Piston Assy  
 820-03-484-KIT: 2016 RC2 Rebound Piston Assy, 831

Spring: [.690 TLG X .242 ID X 22.0 lb/in] Stainless Steel

Seals: O-Ring [3.0MM ID x 1.0MM CS] Metric, N-70, Static

204-74-023  
 Rebound Tube: (T) Machined, 015 36 160-180 NBO RC2

029-08-004



GREASE:  
 THIN LAYER  
 OF SLICK HONEY

TORQUE:  
 30±5 IN. LB.

IMPORTANT:  
 VERIFY REBOUND SHIM  
 IS NOT PINCHED

210-22-244  
 Damp Adj Part: Needle, Rebound, High-Flow, 6 Flutes

229-10-046  
 Shaft, 015 36 160-180 NBO RC2, 10MM, Polished

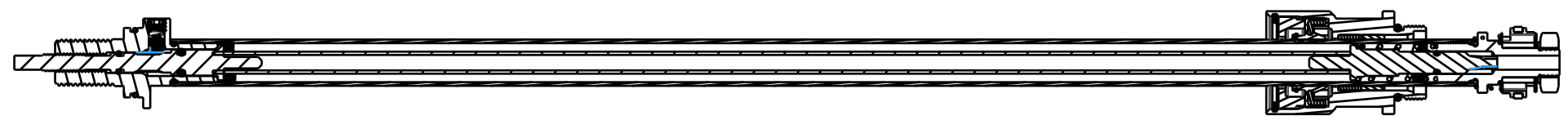
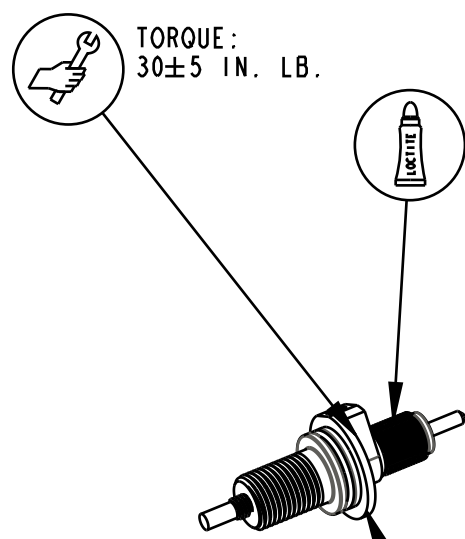
GREASE:  
 THIN LAYER OF  
 SLICK HONEY ON BULLET

820-03-450-KIT  
 Sealhead Assembly, 2015 10mm Shaft, SKF

820-03-167-KIT  
 Rebound Adjuster Assembly, 2011 RC2

TORQUE:  
 30±5 IN. LB.

LOCTITE:  
 ON DROP OF  
 RED 262



**FOX** FOX Factory, Inc. Ph 831-768-1100  
 130 Hangar Way, Watsonville, CA 95076 USA Fax 831-768-9312

TITLE  
**2016 Rebound Assemblies,  
 36mm RC2 140-180/831**

SIZE DWG. NO.  
**C**

PLOT SCALE | .00 : 1 | SHEET | OF | 1

- PROPRIETARY -  
 THIS DOCUMENT CONTAINS CONFIDENTIAL, PROPRIETARY INFORMATION  
 THAT IS FOX PROPERTY. DO NOT DISCLOSE TO OR DUPLICATE  
 FOR OTHERS EXCEPT AS AUTHORIZED BY FOX.