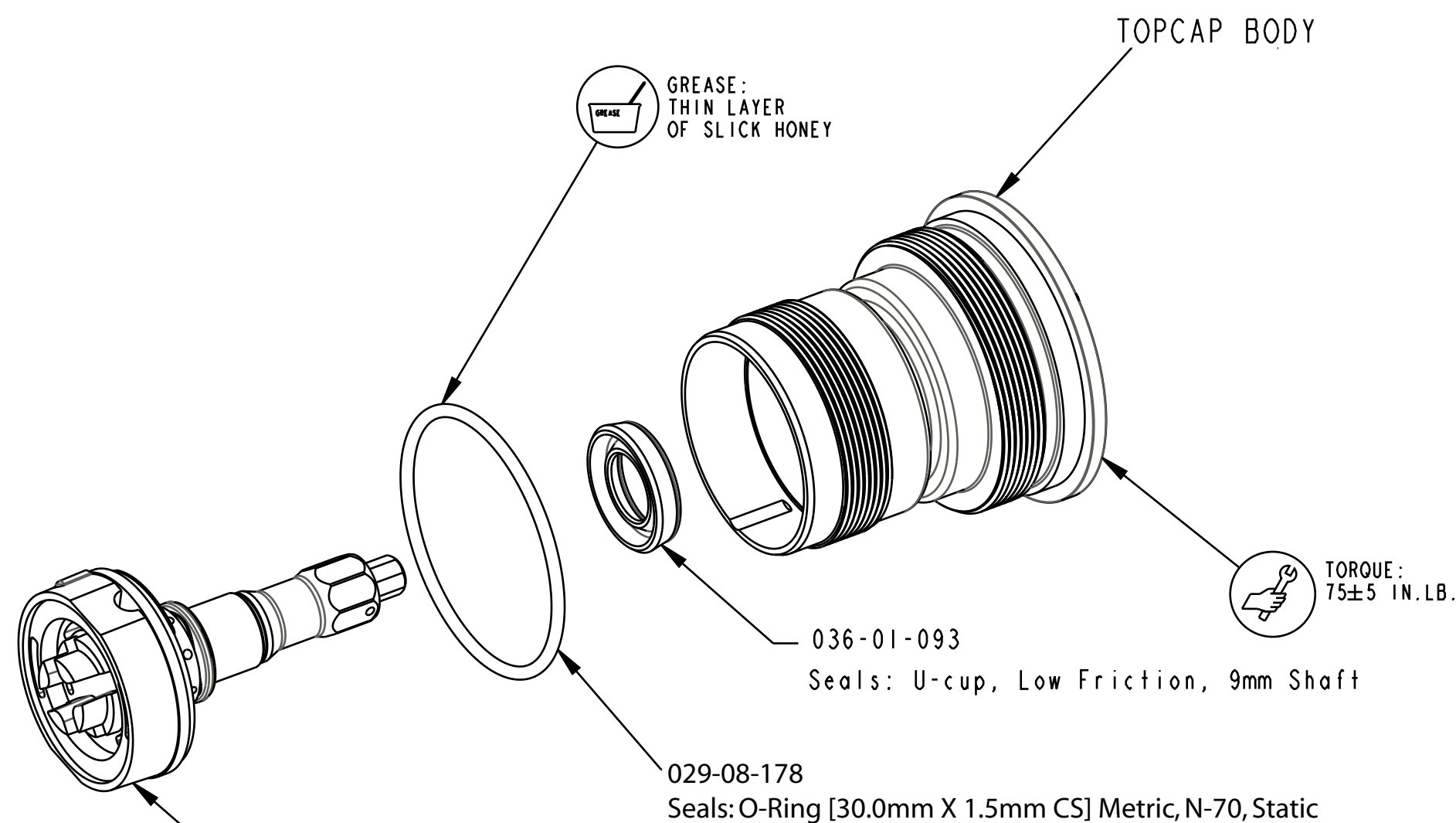
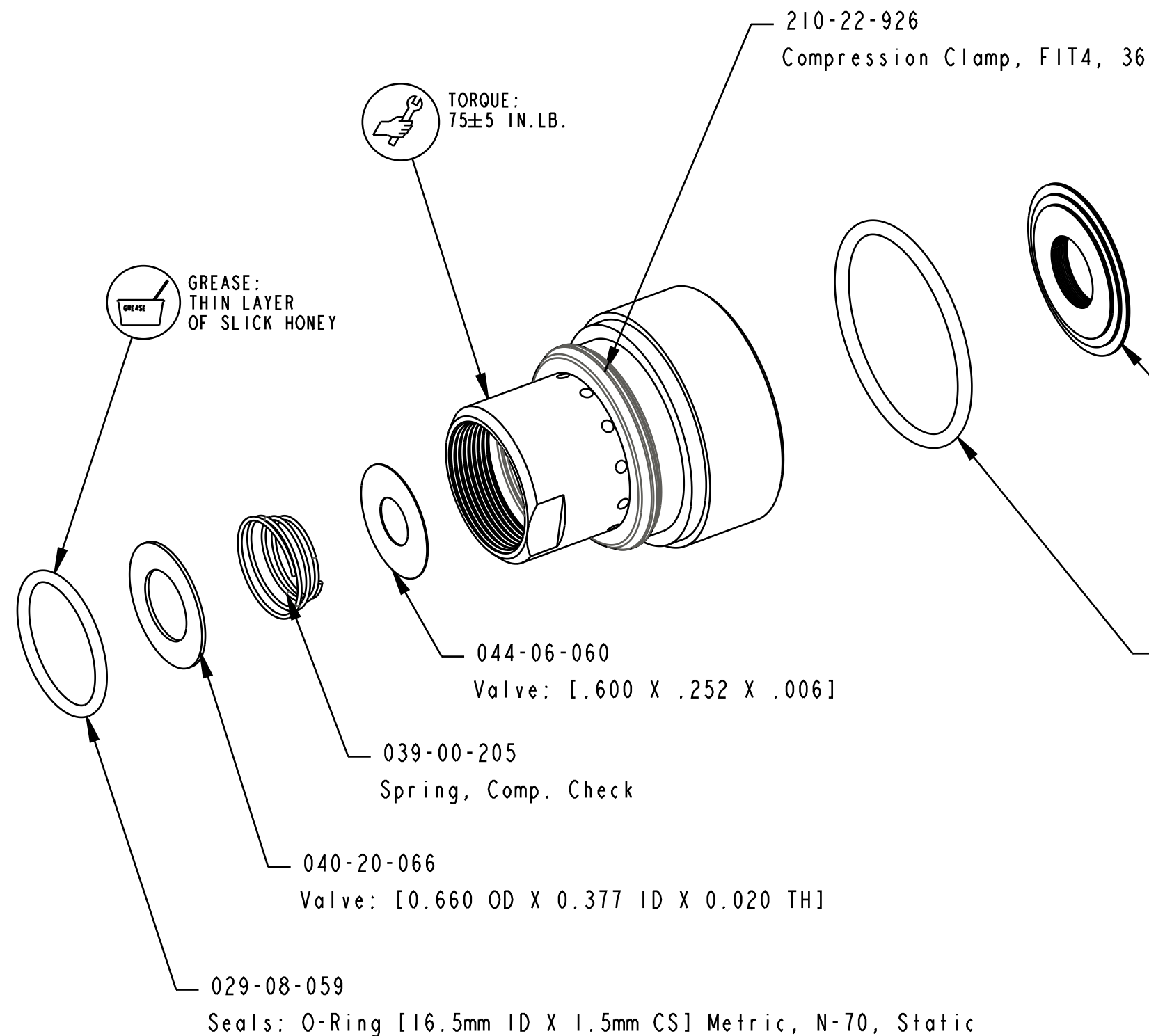
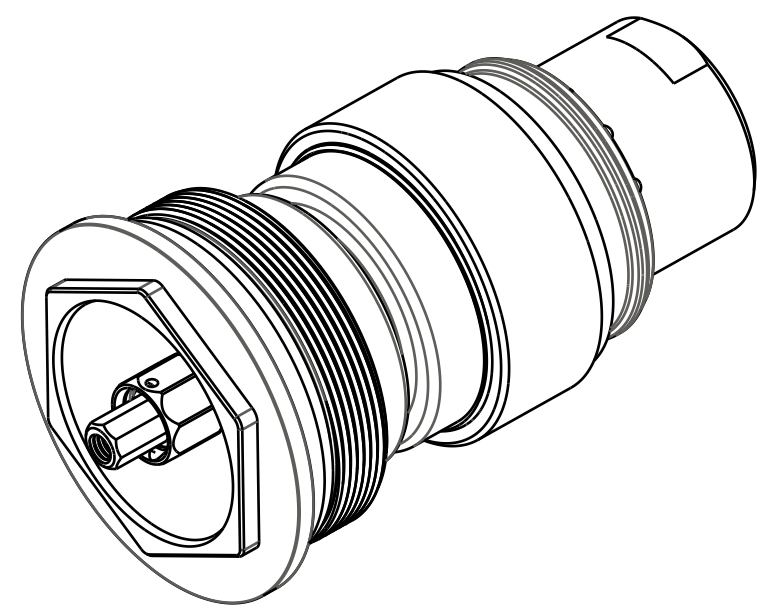


4

3

2

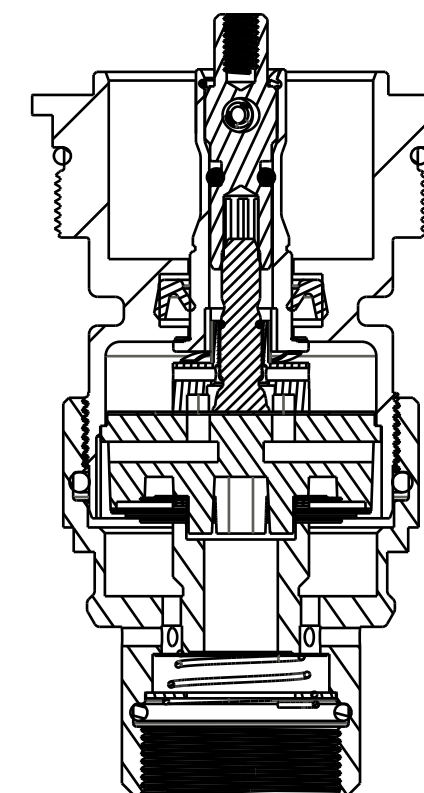
1



Topcap Parts:
 820-03-532-KIT: 2018 FIT4 F-S Top Cap Parts, Remote, U-Cup
 820-03-537-KIT: 2018 FIT4 F-S Top Cap Parts, Remote, U-Cup, Push-Lock

820-03-544-KIT
 2018 FIT4 F-S Compression Valving Assy, E18

029-03-023
 Seals: O-Ring [(-023) .070 C.S. X 1.051 ID] Standard, N-70, Static



PROPRIETARY
 THIS DOCUMENT CONTAINS CONFIDENTIAL, PROPRIETARY INFORMATION
 THAT IS FOX PROPERTY. DO NOT DISCLOSE TO OR DUPLICATE
 FOR OTHERS EXCEPT AS AUTHORIZED BY FOX.

FOX Factory, Inc. Ph 831-768-1100
 130 Hangar Way, Watsonville, CA 95076 USA Fax 831-768-9312

TITLE
**2018 36mm FIT4 F-S Push-to-Lock
 U-Cup Remote Topcap Assemblies**

SIZE DWG. NO.
C
 PLOT SCALE | .50 : 1 | SHEET | OF | 1

4

3

2

1

ProE ASSEM