

4

3

2

1

D

D

C

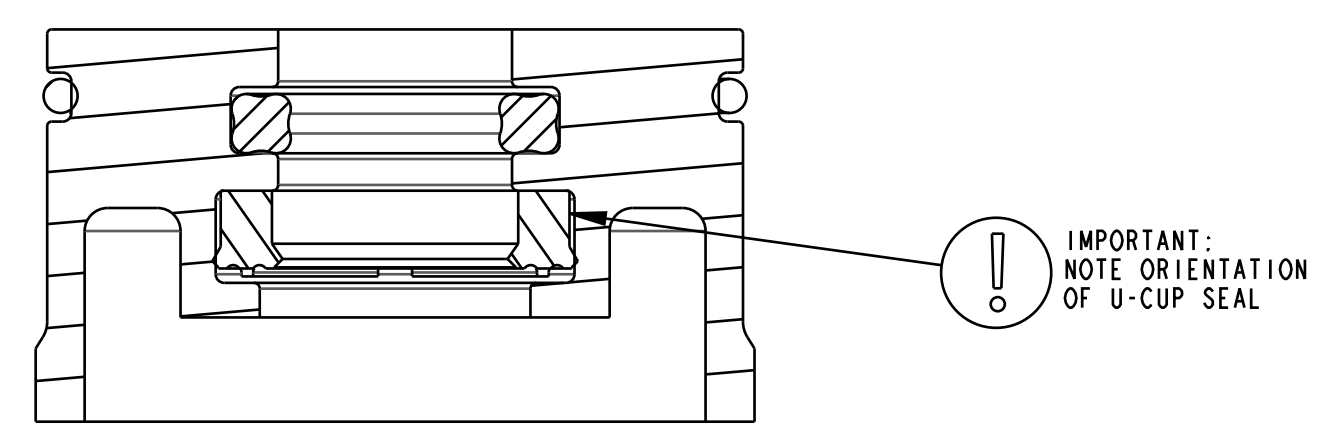
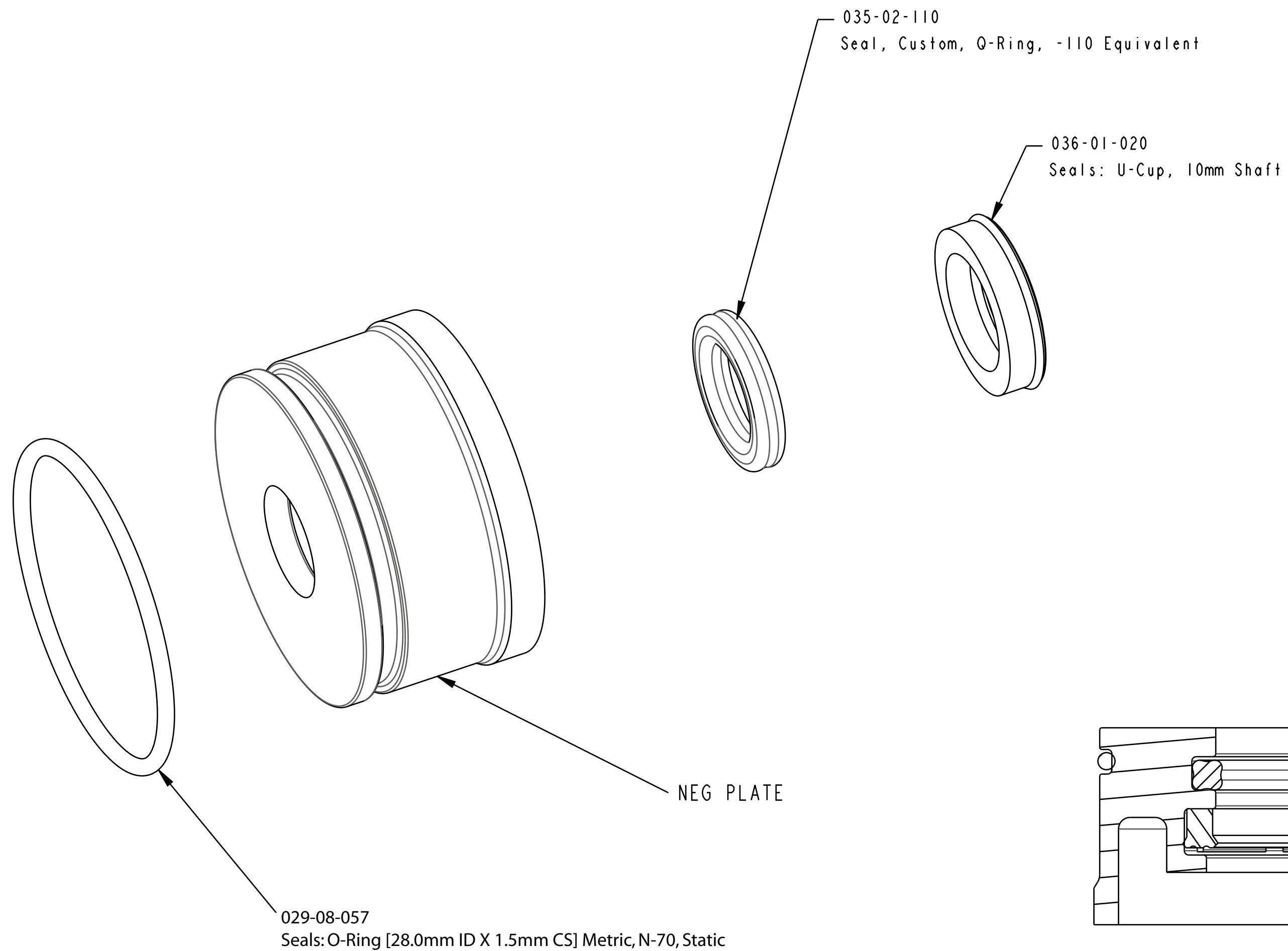
C

B

B

A

A



- PROPRIETARY -  
THIS DOCUMENT CONTAINS CONFIDENTIAL, PROPRIETARY INFORMATION  
THAT IS FOX PROPERTY. DO NOT DISCLOSE TO OR DUPLICATE  
FOR OTHERS EXCEPT AS AUTHORIZED BY FOX.

		<b>FOX Factory, Inc.</b>	Ph 831-768-1100
		130 Hangar Way, Watsonville, CA 95076 USA	Fax 831-768-9312
TITLE			
<b>Neg Plate Subassembly, 2018 FLOAT</b>			
<b>LC NA 2, 34, Long Travel, 1.214 Bore</b>			
SIZE	DWG. NO.		
<b>C</b>	<b>820-02-413-KIT</b>		
PLOT SCALE 3.00:1		SHEET 1 OF 1	

4

3

2

1

ProE ASSEM