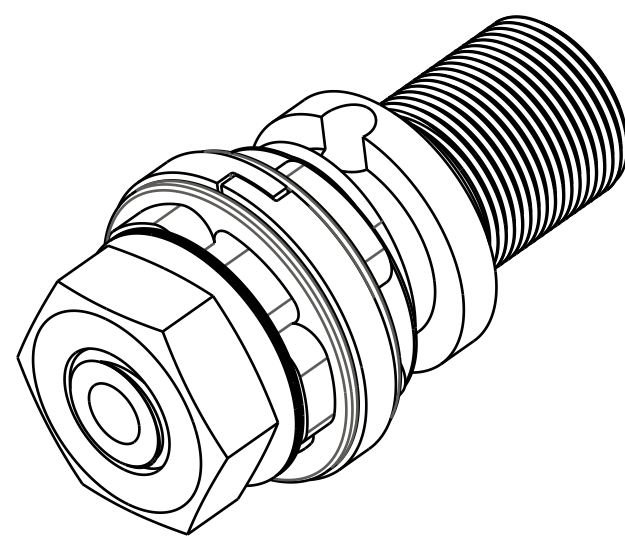


4

3

2

1



039-00-120
Spring: Rebound Check, 09 36_40

002-02-011
Glide Ring, 04 Slim R_RL_RLC_X

Piston: Rebound, Kidney, 35/65 Flow

210-22-881
Shaft Stud, FIT4

IMPORTANT:
ORIENT SPRING SO CLOSED
END FACES SHAFT STUD

GREASE:
THIN LAYER
OF SLICK HONEY

029-08-029
Seals: O-Ring [7.0MM ID x 1.0MM CS] Metric, N-70, Static

045-00-035
Valve: Metric [13.0mm OD X 8.1mm ID X 0.15mm TH]

045-00-149
Valve: Metric [8.0mm OD X 6.40mm ID X 0.152mm TH]

044-20-035
Valve: [.350 OD X .252 ID X .020 TH]

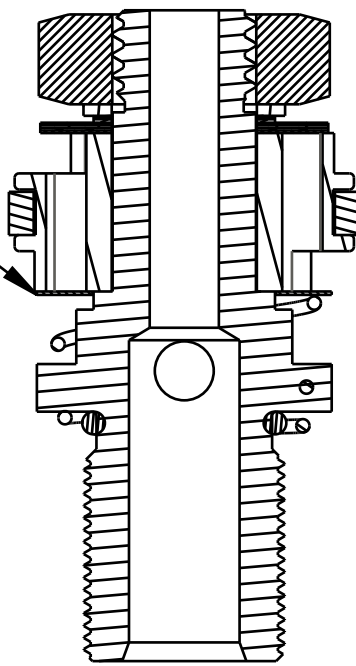
ENSURE VALVES ARE NOT PINCHED DURING ASSEMBLY

IMPORTANT:
NOTE PISTON
ORIENTATION

044-04-050
Valve: [.500 OD X .252 ID X .0045 TH]

018-00-012
Nut [1/4-28 X 5/32 TLG]

TORQUE:
HAND TIGHT



- PROPRIETARY -
THIS DOCUMENT CONTAINS CONFIDENTIAL, PROPRIETARY INFORMATION
THAT IS FOX PROPERTY. DO NOT DISCLOSE TO OR DUPLICATE
FOR OTHERS EXCEPT AS AUTHORIZED BY FOX.

		FOX Factory, Inc.	Ph 831-768-1100
		130 Hangar Way, Watsonville, CA 95076 USA	Fax 831-768-9312
TITLE	Rebound Piston Assy 2016 FIT4		
SIZE	DWG. NO.	820-03-465-KIT	
C	PLOT SCALE 3.00:1		SHEET 1 OF 1

4

3

2

ProE ASSEM