

4

3

2

1

D

D

C

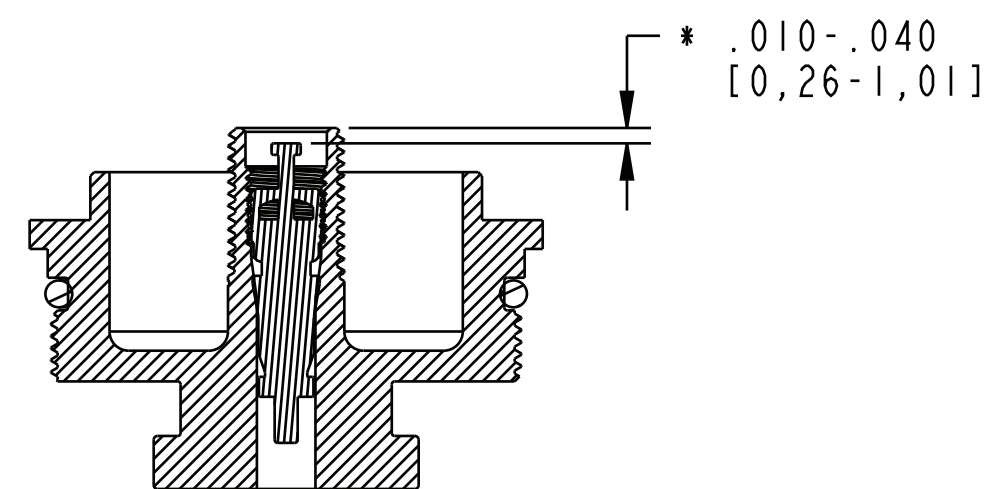
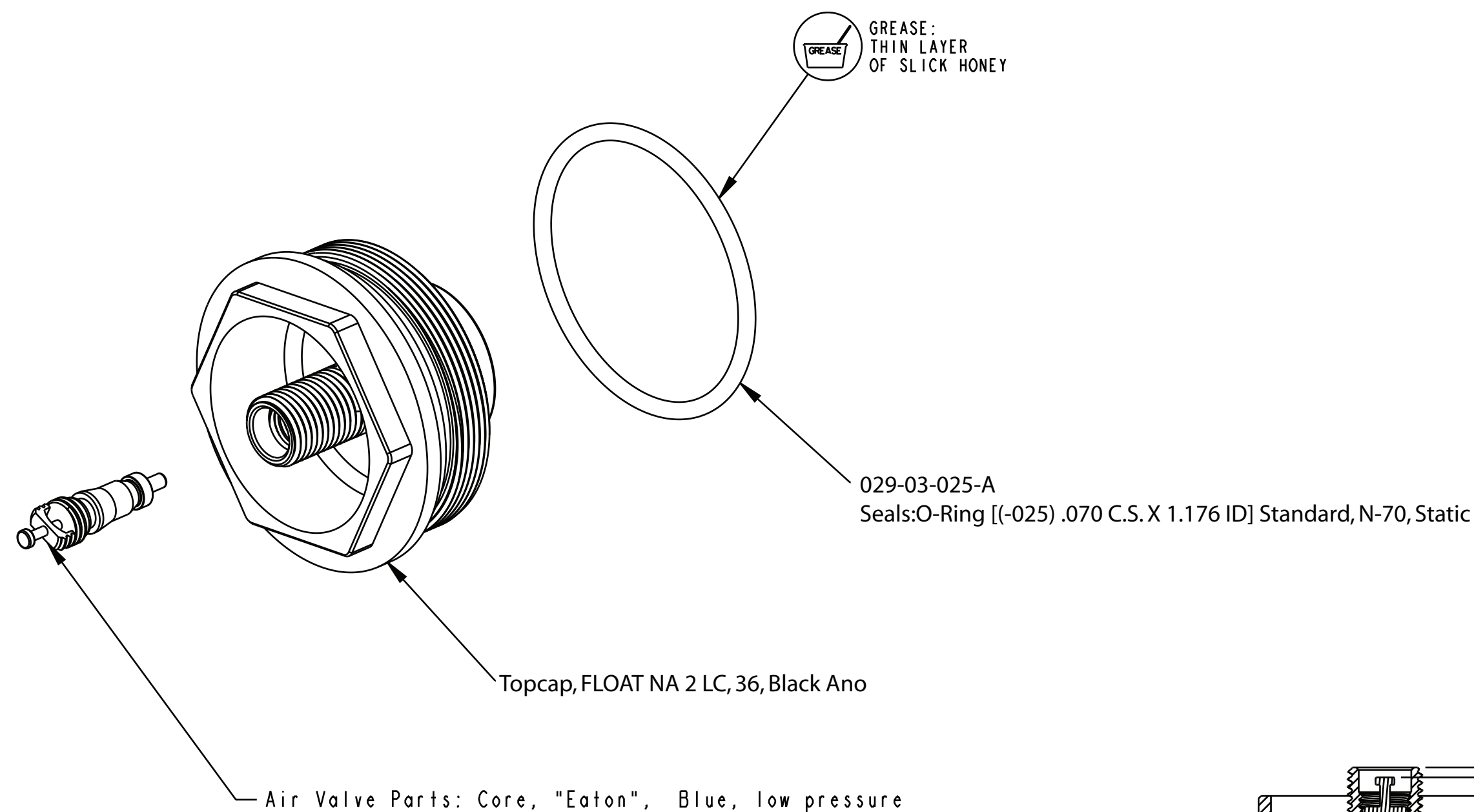
C

B

B

A

A



SECTION A-A

- PROPRIETARY -  
THIS DOCUMENT CONTAINS CONFIDENTIAL, PROPRIETARY INFORMATION  
THAT IS FOX PROPERTY. DO NOT DISCLOSE TO OR DUPLICATE  
FOR OTHERS EXCEPT AS AUTHORIZED BY FOX.

<b>FOX</b>		<b>FOX Factory, Inc.</b>	Ph 831-768-1100
		130 Hangar Way, Watsonville, CA 95076 USA	Fax 831-768-9312
TITLE	2018 36mm FLOAT NA2 Topcap Assembly		
SIZE	DWG. NO.	820-05-419-KIT	
C	PLOT SCALE 2.00:1		SHEET 1 OF 1

4

3

2

1