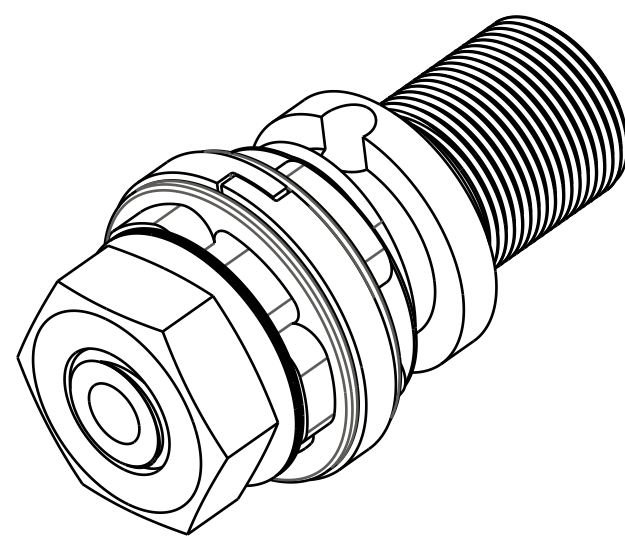


4

3

2

1



039-00-120
Spring: Rebound Check, 09 36_40

002-02-011
Glide Ring, 04 Slim R_RL_RLC_X

Piston: Rebound, Kidney, 35/65 Flow

210-22-881
Shaft Stud, FIT4

GREASE:
THIN LAYER
OF SLICK HONEY

029-08-029
Seals: O-Ring [7.0MM ID x 1.0MM CS] Metric, N-70, Static

045-00-035
Valve: Metric [13.0mm OD X 8.1mm ID X 0.15mm TH]

045-00-149
Valve: Metric [8.0mm OD X 6.40mm ID X 0.152mm TH]

044-20-035
Valve: [.350 OD X .252 ID X .020 TH]

018-00-012
Nut [1/4-28 X 5/32 TLG]

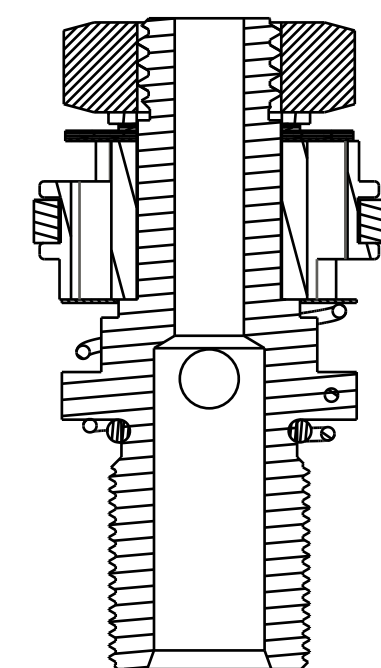
IMPORTANT:
NOTE PISTON
ORIENTATION

044-04-050
Valve: [.500 OD X .252 ID X .0045 TH]

(044-04-050)

(045-00-149)

TORQUE:
HAND TIGHT



PROPRIETARY
THIS DOCUMENT CONTAINS CONFIDENTIAL, PROPRIETARY INFORMATION
THAT IS FOX PROPERTY. DO NOT DISCLOSE TO OR DUPLICATE
FOR OTHERS EXCEPT AS AUTHORIZED BY FOX.

FOX FOX Factory, Inc.		Ph 831-768-1100
130 Hangar Way, Watsonville, CA 95076 USA		Fax 831-768-9312
TITLE	Rebound Piston Assy 2016 FIT4	
SIZE	DWG. NO. 820-03-465-KIT	
PLOT SCALE	3.00:1	SHEET 1 OF 1

4

3

2

1