

4

3

2

1

OIL:  
THIN LAYER  
FLOAT FLUID

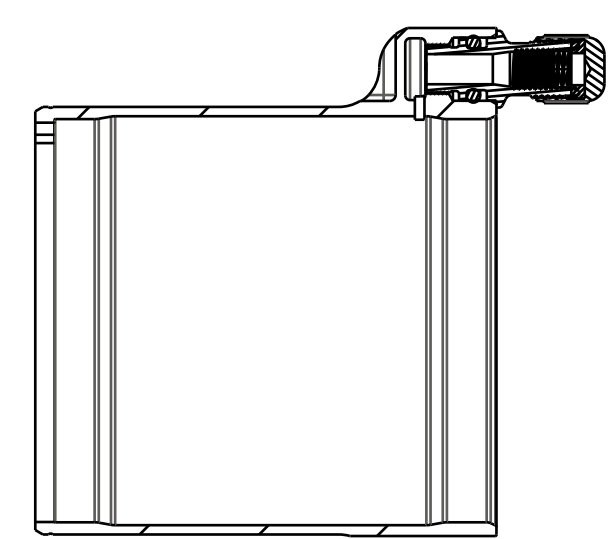
TORQUE:  
35±5 IN.LB.

010-00-057  
Air Valve Parts: Cap, Air Valve [.305-32], Black, 6061

803-01-178  
Air Valve Part: Housing, Tank Valve, DHX2, FloatX2

029-00-009  
O-Ring (-009) [.070 C.S. X .208 ID]

Sleeve: XV, Float X2 AL 7075-T6, Ano, Locking



SECTION A-A

- PROPRIETARY -  
THIS DOCUMENT CONTAINS CONFIDENTIAL, PROPRIETARY INFORMATION  
THAT IS FOX PROPERTY. DO NOT DISCLOSE TO OR DUPLICATE  
FOR OTHERS EXCEPT AS AUTHORIZED BY FOX.

	<b>FOX Factory, Inc.</b> <small>130 Hangar Way, Watsonville, CA 95076 USA</small>		<small>Ph 831-768-1100 Fax 831-768-9312</small>
	<b>TITLE</b> 2018 FLOAT X2 Outer Air Sleeve Assemblies		
<b>SIZE</b> <b>C</b>	<b>DWG. NO.</b>		<b>SHEET 1 OF 1</b>
<b>PLOT SCALE</b>   .00:1		<b>PROE ASSEM</b>	

4

3

2

1

PROE ASSEM