

D

D

C

C

B

B

A

A

038-00-138
Retaining Ring: Internal, Round Wire [.031 Wire OD, .265 free ID]

010-01-002-A
Ball [Ø 0.0938] 52100 Grade 25 Steel, Chrome

210-24-030
Adjuster: Base Valve, LSC, FloatX2

Valve Body RC Compression Blue, 2018

GREASE:
THIN LAYER
OF SLICK HONEY

GREASE:
THIN LAYER
OF SLICK HONEY

GREASE:
THIN LAYER
OF SLICK HONEY

234-04-954
Insert, Valve Body, FLOAT X2, DHX2

039-00-243
Spring: Detent [.138 TLG, .087 OD, 48 lb/in]

GREASE:
THIN LAYER
OF SLICK HONEY

(010-00-002-A)

029-00-004
O-Ring (-004) [.070 C.S. X .070 ID]

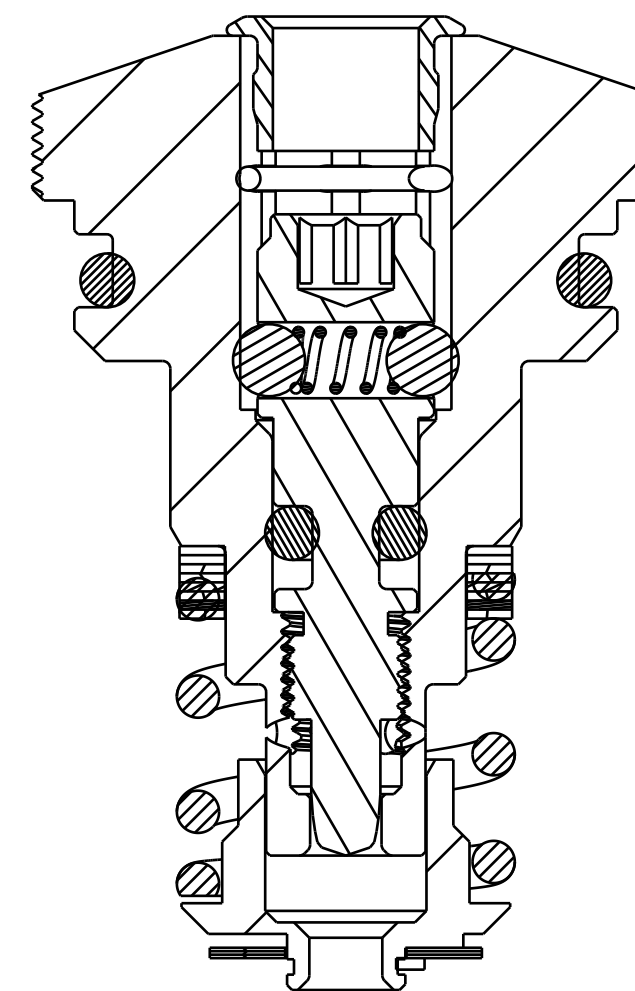
(045-30-811)

029-00-015
O-Ring (-015) [.070 C.S. X .551 ID]

045-30-811
Valve: Metric [11.0mm OD X 8.0mm ID X 0.30mm TH]

039-00-407
Spring: High Speed [.420 TLG X .330 ID X 100 lb/in]

815-02-064
Damping Adj Assy: Poppet, X2, .077 Triangle



SECTION A-A
SCALE 4.000

- PROPRIETARY -
THIS DOCUMENT CONTAINS CONFIDENTIAL, PROPRIETARY INFORMATION
THAT IS FOX PROPERTY. DO NOT DISCLOSE TO OR DUPLICATE
FOR OTHERS EXCEPT AS AUTHORIZED BY FOX.

		FOX Factory, Inc.	Ph 831-768-1100
		130 Hangar Way, Watsonville, CA 95076 USA	Fax 831-768-9312
TITLE			
Damping Adj Assy: 2018 X2, Compression, P-S			
SIZE DWG. NO.		815-00-080-KIT	
C		PLOT SCALE 2.00:1	
		SHEET 1 OF 1	