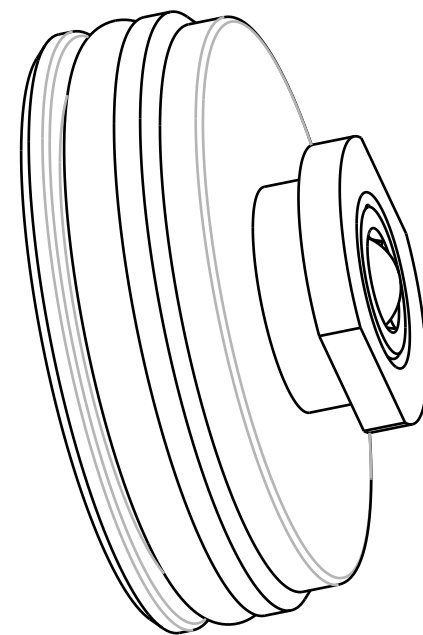


4

3

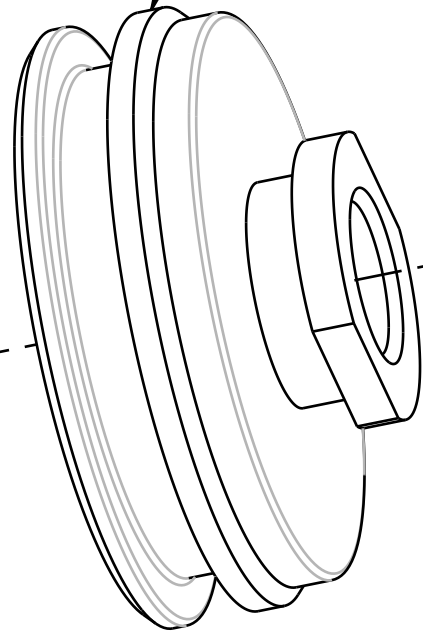
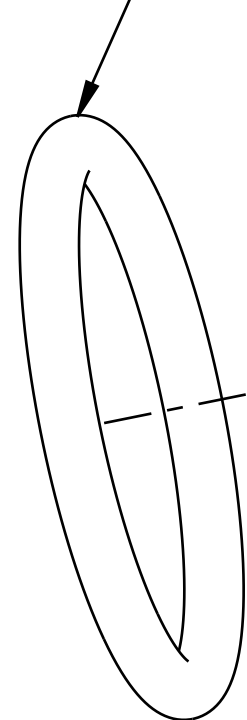
2

1



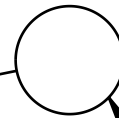
029-00-118
O-Ring (-118) [1.103 C.S. X .862 ID]

Reservoir End Cap [1.070 Bore]



010-00-011
Pellet [Ø.275 X .125 TLG]

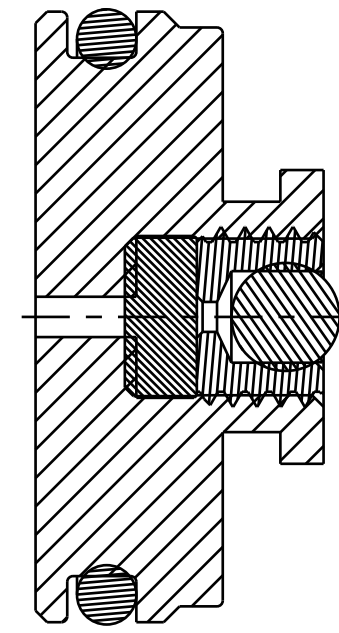
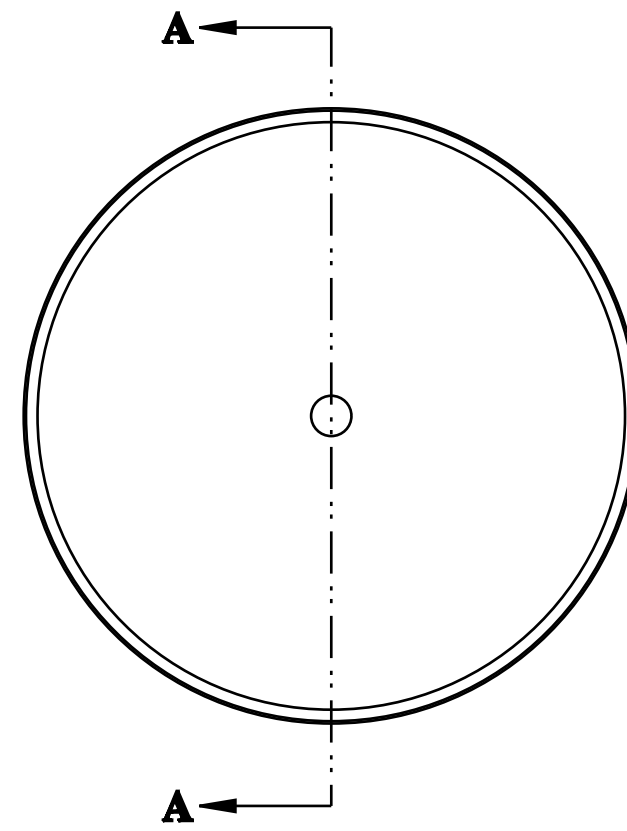
010-00-010
Pellet Retainer [5/16-24, .220 TLG]



010-01-003
Ball [Ø 0.1875] Delrin



TORQUE:
7 IN. LB.
±2



SECTION A-A

FOX **FOX Factory, Inc.** Ph 831-768-1100
130 Hangar Way, Watsonville, CA 95076 USA Fax 831-768-9312

TITLE Reservoir End Cap Assembly: 2007 Non Adjust,
Wire Ring, Pellet [1.070 Bore,] Black Ano III

SIZE DWG. NO. **813-00-059-KIT**

PLOT SCALE 3:1 SHEET 1 OF 1

PROPRIETARY
THIS DOCUMENT CONTAINS CONFIDENTIAL, PROPRIETARY INFORMATION
THAT IS FOX PROPERTY. DO NOT DISCLOSE TO OR DUPLICATE
FOR OTHERS EXCEPT AS AUTHORIZED BY FOX.

4

3

2

1