

**BUTTERFLY VALVES:**  
 210-24-370: 2018 FIT4 Remote, Butterfly Valve, Large Tabs, U-Cup, Push-Unlock  
 210-24-371: 2018 FIT4 Remote, Butterfly Valve, Larger Tabs, U-Cup, Push-Lock  
 210-24-004: Butterfly Valve, FIT4, Large Tabs

ENSURE SLOT ON BUTTERFLY VALVE (210-24-371) LINE UP WITH HOLES ON COMPRESSION PISTON

038-01-071  
 Retaining Ring: Wire [0.340 OD X 0.024" Wire] 17-7 SST

210-24-350  
 Shaft, Compression Selector, 2018 FIT4 Remote

GREASE:  
 THIN LAYER  
 OF SLICK HONEY

210-22-920  
 Compression Adjust Coupler, F-S, FIT4

222-01-307  
 Piston, Compression, FIT4, Dished, Aluminum

210-22-919  
 Compression Adjust Needle, F-S, FIT4

210-22-921  
 Lockout Selector, F-S, FIT4

039-00-241  
 Spring: Wave [.322 ID x .420 OD, 3 Waves] SS

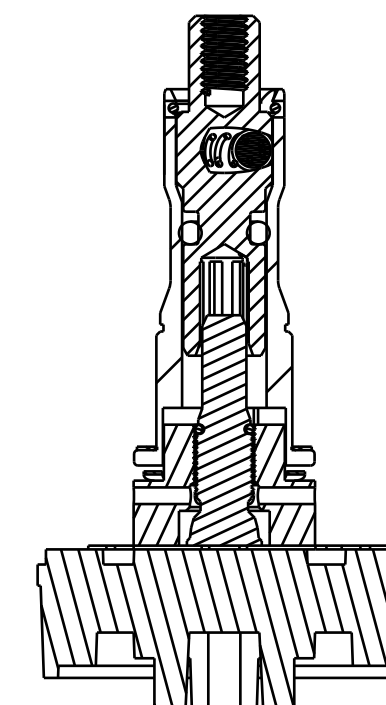
210-24-316  
 Bearing, Thrust, Teflon, FIT4, Selector Shaft, 2018

029-08-068  
 Seals: O-Ring [3.0MM ID x 1.5MM CS] Metric, N-70, Static

010-01-012  
 Ball [Ø.1094]

038-01-073  
 Retaining Ring: Wire [.280 OD X .024 CS] SS

039-00-243  
 Spring: Detent [.138 TLG, .087 OD, 48 lb/in]



- PROPRIETARY -  
 THIS DOCUMENT CONTAINS CONFIDENTIAL, PROPRIETARY INFORMATION  
 THAT IS FOX PROPERTY. DO NOT DISCLOSE TO OR DUPLICATE  
 FOR OTHERS EXCEPT AS AUTHORIZED BY FOX.

**FOX** FOX Factory, Inc. Ph 831-768-1100  
 130 Hangar Way, Watsonville, CA 95076 USA Fax 831-768-9312

TITLE  
**2018 32mm F-S FIT4  
 Remote Topcap Parts**

SIZE DWG. NO.

**C**

PLOT SCALE 2.00:1

SHEET 1 OF 1