

4

3

2

1

D

D

C

C

B

B

A

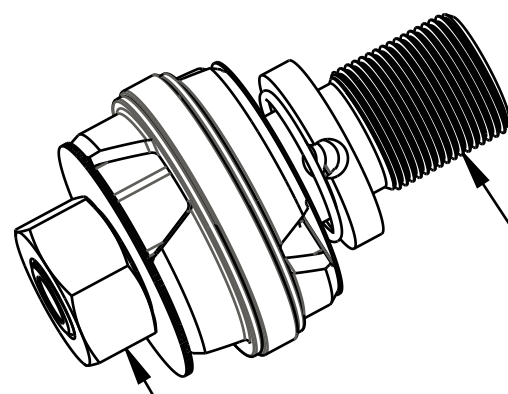
A

SHAFTS:
 229-10-272: Shaft, 10mm Damper, Hard Ano, Grip, 32 29 All
 229-10-271: Shaft, 10mm Damper, Hard Ano, Grip, 32 27.5

820-03-525-KIT
 2019 Grip, All, Bearing Housing Assy

210-22-958
 Damping Adj Part: Base Stud, M8, Grip

029-08-022
 Seals: O-Ring [8.0MM ID x 1.0MM CS]
 Metric, N-70, Static



TORQUE:
 40 ± 5 in-lb

LOCTITE:
 RED 263, 2-3 DROPS
 360° COVERAGE

DETAIL Z
 SCALE 2:1

TORQUE:
 40 ± 5 in-lb

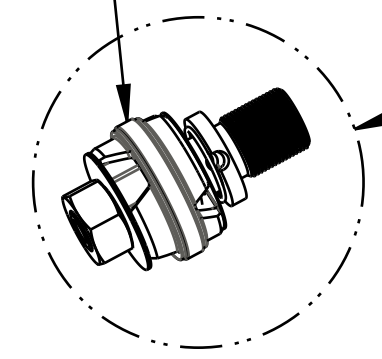
LOCTITE:
 RED 263, 2-3 DROPS
 360° COVERAGE

REBOUND PISTON ASSEMBLIES:
 820-03-458-KIT: 2017 Grip Rebound Piston Assy, Short Travel
 820-03-330-KIT: 2017 Grip Rebound Piston Assy

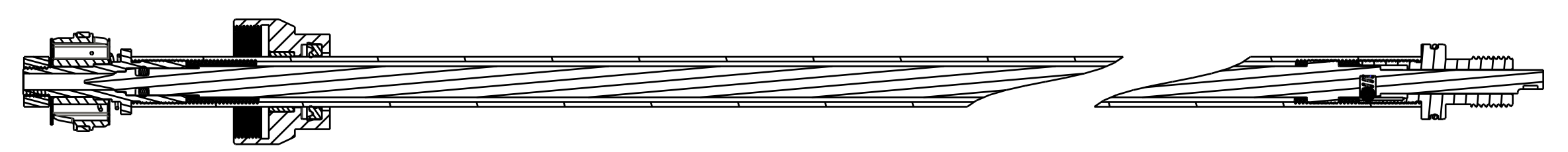
010-01-012
 Ball [Ø.1094]

039-00-243
 Spring: Detent [.138 TLG, .087 OD, 48 lb/in]

REBOUND NEEDLES:
 210-03-232: Damping Adj Part: Needle, Rbd, Injection Molded, 32 29 All
 210-03-231: Damping Adj Part: Needle, Rbd, Injection Molded, 32 27.5



SEE DETAIL Z



SECTION A-A

029-03-005
 O-Ring (-005) [1.070 C.S. X 0.101 ID]

PROPRIETARY
 THIS DOCUMENT CONTAINS CONFIDENTIAL, PROPRIETARY INFORMATION
 THAT IS FOX PROPERTY. DO NOT DISCLOSE TO OR DUPLICATE
 FOR OTHERS EXCEPT AS AUTHORIZED BY FOX.

		FOX Factory, Inc.	Ph 831-768-1100
130 Hangar Way, Watsonville, CA 95076 USA		Fax 831-768-9312	
2019 32mm Grip Damper Shaft Assemblies			
SIZE	DWG. NO.		
C			
PLOT SCALE	1:1	SHEET 1 OF 1	

4

3

2

1

ProE ASSEM