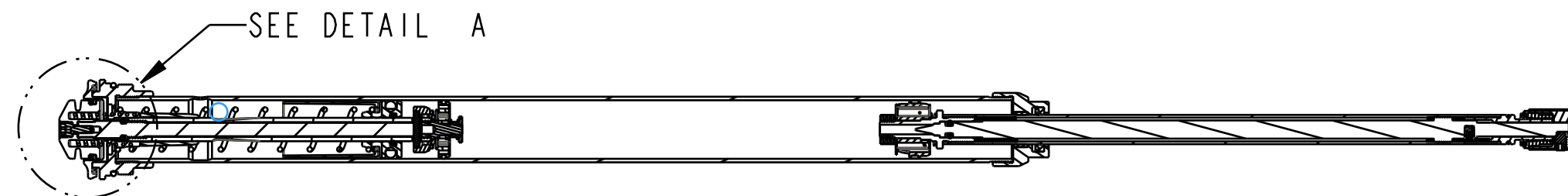


4

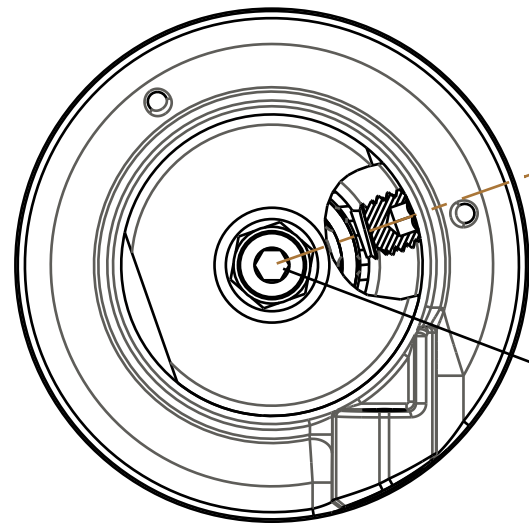
3

2

1



SECTION A-A
SCALE 0.500



SECTION C-C

WHEN LOCKED OUT, SET SCREW MUST BE 20°-60° FROM CABLE BOSS (AT 6 IN-LB).

REFERENCE ONLY
(FOR INSTALLATION
INTO FORK)

TORQUE:
50±5
(IN-LB)

018-01-004-A
Fastener, Standard: Screw [#8-32 X 0.250 TLG]

LOCTITE:
BLUE 242 OF 243
ONE DROP

TORQUE:
5.0±0.5 IN.LB.

REBOUND KNOBS:
210-22-726: Knob: Rebound Adjust, Extruded, Red, Grip
210-24-032: Knob, Rebound Adjust, Grip Extruded, Red, 29

241-00-005
Fastener, Custom: Nut, Bottom, R_RL_RLC

BASE STUD INTERFACE PARTS:
820-05-374-KIT: 2017 Grip Bottom Stud Interface Parts
820-05-326-KIT: 2017 34 29in Grip Bottom Stud Interface Parts

241-01-002-C
Fastener, Custom: Crush Washer, Plastic, R_RL_RLC

CARTRIDGE ASSY

TORQUE: NEEDLE TO 3.5±.25 IN-LB
BEFORE INSTALLING REMOTE ASSEMBLY
TORQUE TO 1.5 IN-LB FOR CARTRIDGE DYNO

820-05-445-KIT
2018 Grip Remote, Topcap Interface Parts

210-24-285
Cable Pulley Remote, Grip

TORQUE:
220±5 IN.LB.

REFERENCE ONLY
(FOR INSTALLATION
INTO FORK)

REMOTE HOUSING MUST BE ROTATED A FULL 360° CCW
AFTER INSTALLING TO ACHIEVE PROPER PRELOAD ON
TORSION SPRING.

210-24-259
Damping Adjust Part: Housing, Remote, Hubless, FIT4

039-00-404
Spring: Torsion, Remote, 2018 Grip

TORQUE:
6±1 IN.LB.

GREASE:
THIN LAYER BLUE MARINE GREASE
ID AND OD

036-01-044
Seals: U-Cup, Shore 70A, 2013 CTD-ADJ, Remote Fit-CTD and Remote O/C-CTD

019-01-140
Fastener: Custom (Metric): Socket Set Screw [M4 x .7mm x 3mm], SST, Patchlock

019-01-115
Fastener Standard (Metric): Screw, Socket Head, M2.5 X 8

FOX FOX Factory, Inc. Ph 831-768-1100
130 Hangar Way, Watsonville, CA 95076 USA Fax 831-768-9312

TITLE
**2019 32mm Grip Remote
Cartridge Assemblies Complete**

SIZE DWG. NO.
C

PLOT SCALE 0.75

SHEET 1 OF 1

PROPRIETARY
THIS DOCUMENT CONTAINS CONFIDENTIAL, PROPRIETARY INFORMATION
THAT IS FOX PROPERTY. DO NOT DISCLOSE TO OR DUPLICATE
FOR OTHERS EXCEPT AS AUTHORIZED BY FOX.

4

3

2

PROE ASSEM