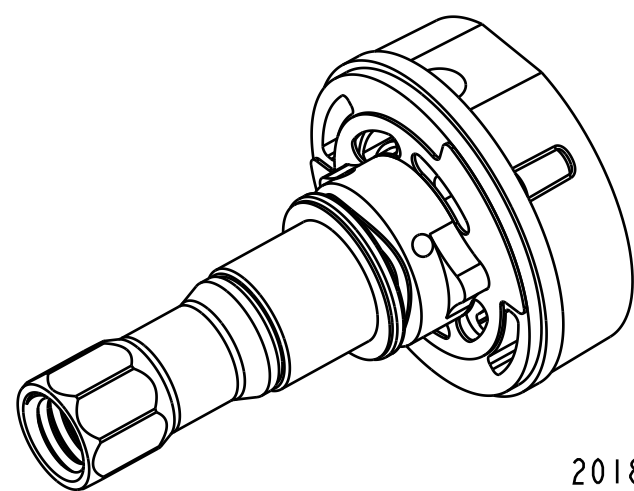


4

3

2

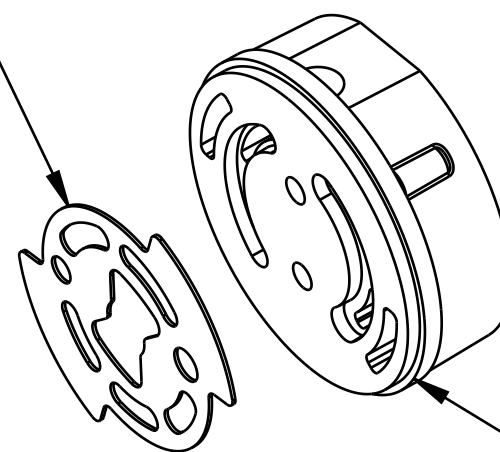
1



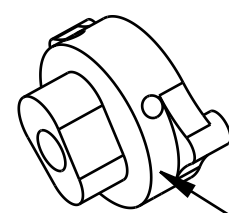
2018 FIT4 Remote, Butterfly Valve, Large Tabs, U-Cup, Push-Unlock

ENSURE SLOT ON BUTTERFLY VALVE (210-24-370) LINE UP WITH HOLES ON COMPRESSION PISTON

210-24-370

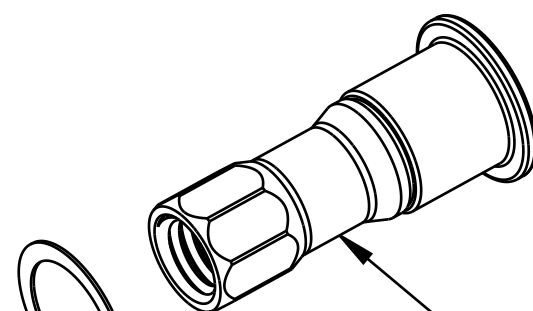


222-01-307  
Piston, Compression, FIT4, Dished, Aluminum



210-22-879  
Selector Shaft, FIT4 Damper

039-00-241  
Spring: Wave [.322 ID x .420 OD, 3 Waves] SS

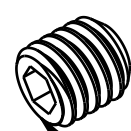


Shaft, Compression Selector, FIT4, Remote, U-Cup

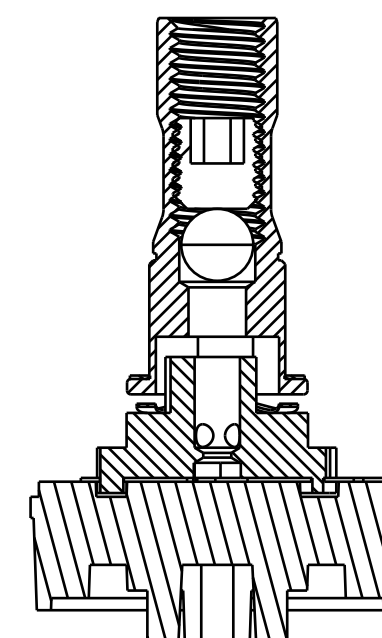
210-24-316  
Bearing, Thrust, Teflon, FIT4, Selector Shaft, 2018



010-01-001  
Ball [Ø 0.1875] Steel



019-01-107  
Socket Set Screw [M6 x 1.0mm x 6mm] Flat Pt, SST



**FOX** FOX Factory, Inc. Ph 831-768-1100  
130 Hangar Way, Watsonville, CA 95076 USA Fax 831-768-9312

TITLE  
2018 FIT4 P-S Top Cap Parts,  
Remote, U-Cup, P-Unlock

SIZE DWG. NO. 820-03-541-KIT  
C PLOT SCALE 2.00:1 SHEET 1 OF 1

PROPRIETARY  
THIS DOCUMENT CONTAINS CONFIDENTIAL, PROPRIETARY INFORMATION  
THAT IS FOX PROPERTY. DO NOT DISCLOSE TO OR DUPLICATE  
FOR OTHERS EXCEPT AS AUTHORIZED BY FOX.

4

3

2

1

ProE ASSEM