

4

3

2

1

D

D

C

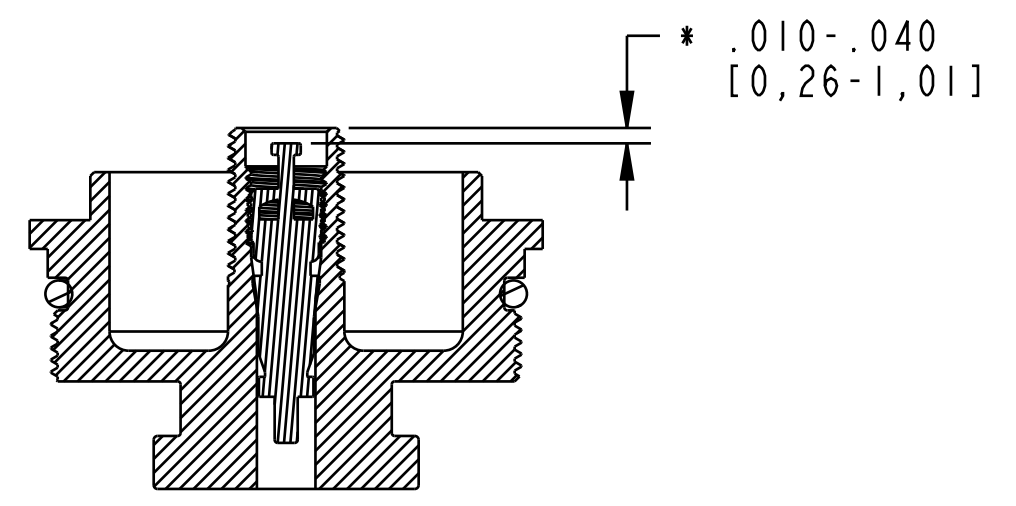
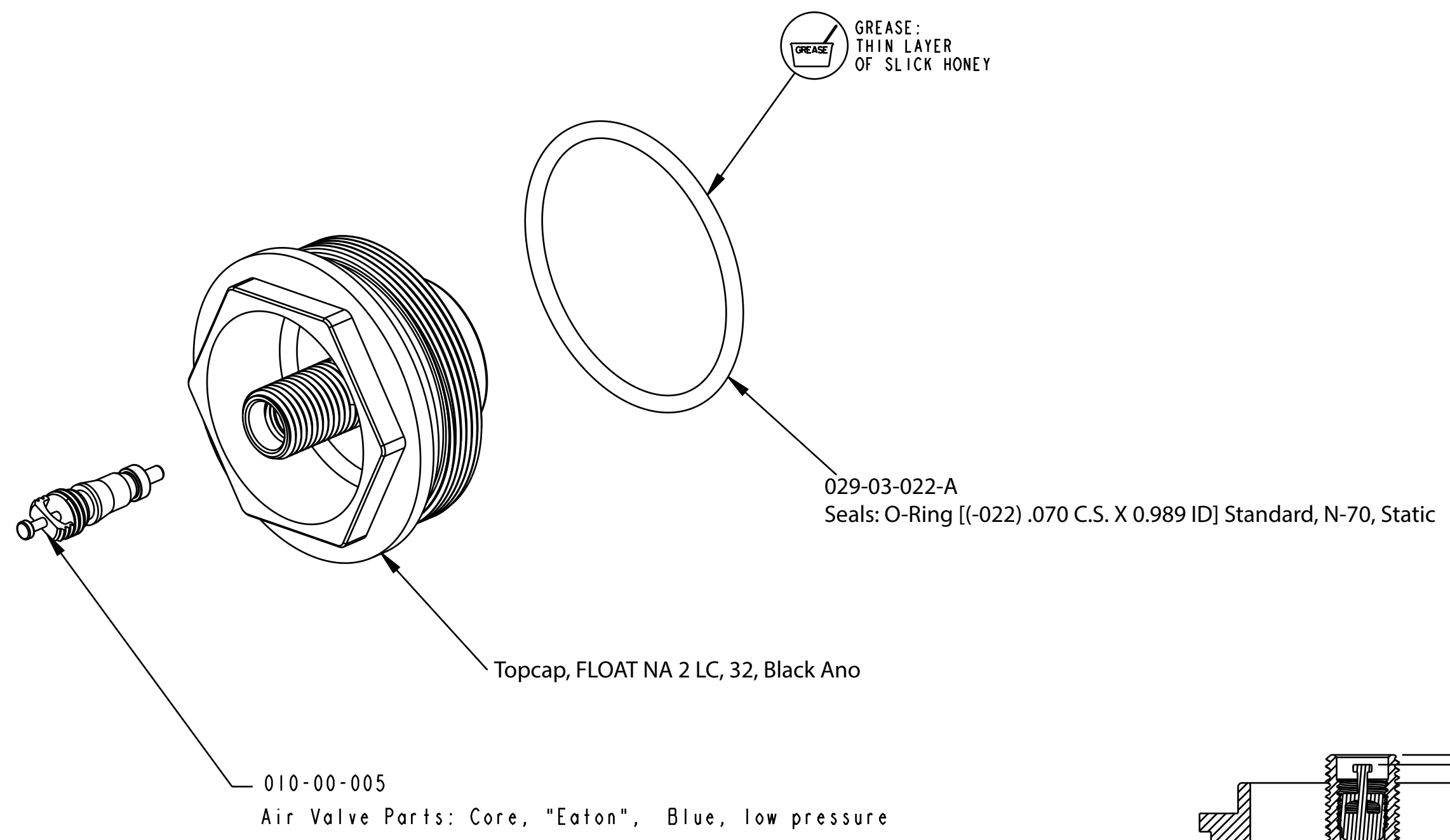
C

B

B

A

A



SECTION A-A

- PROPRIETARY -
THIS DOCUMENT CONTAINS CONFIDENTIAL, PROPRIETARY INFORMATION
THAT IS FOX PROPERTY. DO NOT DISCLOSE TO OR DUPLICATE
FOR OTHERS EXCEPT AS AUTHORIZED BY FOX.

FOX		FOX Factory, Inc.		Ph 831-768-1100
		130 Hangar Way, Watsonville, CA 95076 USA		Fax 831-768-9312
TITLE		Topcap Assy, 2018, FLOAT LC NA 2, 32, Black		
SIZE	DWG. NO.	820-05-418-KIT		
C				
PLOT SCALE 2.00:1		SHEET 1 OF 1		

4

3

2

1