

4

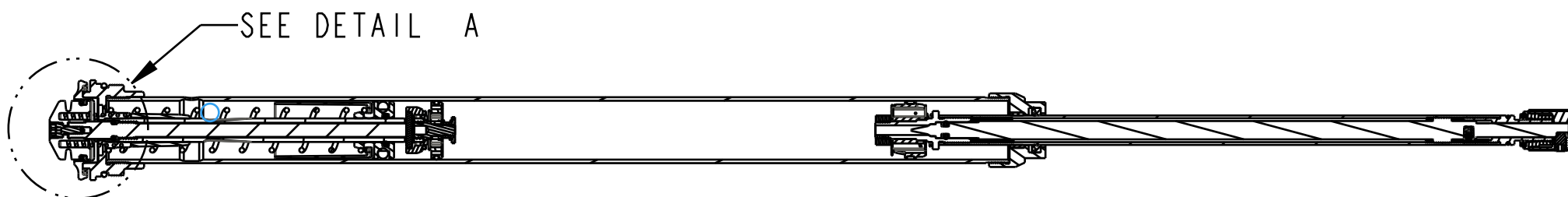
3

2

1

NOTE: BOTTOM STUD INTERFACE PARTS MAY APPEAR DIFFERENT THAN THOSE SHOWN  
PLEASE USE THE SUPPLIED PART NUMBERS

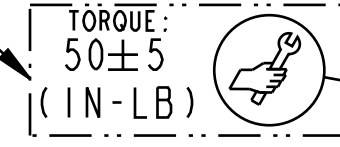
Rebound Knob O-Ring (not pictured) is PN: 029-08-005



SECTION A-A  
SCALE 0.500

Fastener, Standard (Metric): Screw [M2.5 X 6mm] Socket Head Cap, Stainless

REFERENCE ONLY  
(FOR INSTALLATION  
INTO FORK)



LOCTITE:  
BLUE 242 OF 243  
ONE DROP

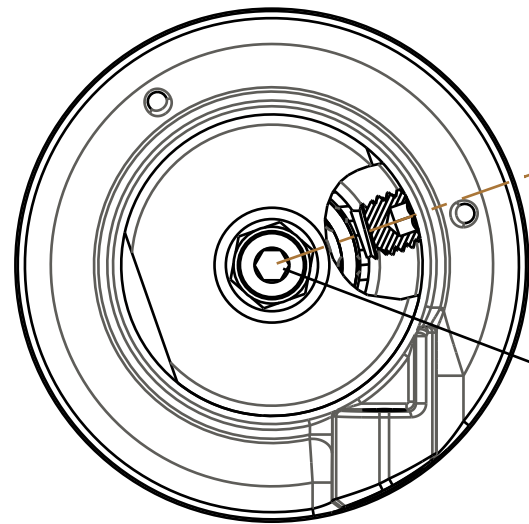
TORQUE:  
5.0±0.5 IN.LB.

REBOUND KNOBS:  
210-24-089: Knob: Rebound Adj, Extruded, FIT4 Lightweight, 29in Fork  
210-24-178: Knob: Rebound Adj, Extruded, FIT4 Lightweight, 29in Fork, Long

241-00-005  
Fastener, Custom: Nut, Bottom, R\_RL\_RLC

BOTTOM STUD INTERFACE PARTS:  
820-05-239-KIT: 2017 FIT4 Bottom Stud Interface Parts, 32, SC, 27.5in Fork  
820-05-228-KIT: 2017 FIT4 Bottom Stud Interface Parts, 32, SC, 29in Fork

241-01-002-C  
Fastener, Custom: Crush Washer, Plastic, R\_RL\_RLC



SECTION C-C

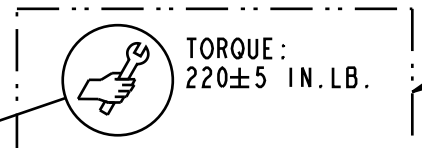
WHEN LOCKED OUT, SET SCREW MUST BE 20°-60° FROM  
CABLE BOSS (AT 6 IN-LB).

TORQUE: NEEDLE TO 3.5±.25 IN-LB  
BEFORE INSTALLING REMOTE ASSEMBLY  
TORQUE TO 1.5 IN-LB FOR CARTRIDGE DYNO

820-05-445-KIT  
2018 Grip Remote, Topcap Interface Parts

2019 32 27.5in & 29in SC 80-100, Grip Remote Cart Assy

210-24-285  
Cable Pulley Remote, Grip



REFERENCE ONLY  
(FOR INSTALLATION  
INTO FORK)

210-24-259  
Damping Adjust Part: Housing, Remote, Hubless, FIT4

039-00-404  
Spring: Torsion, Remote, 2018 Grip

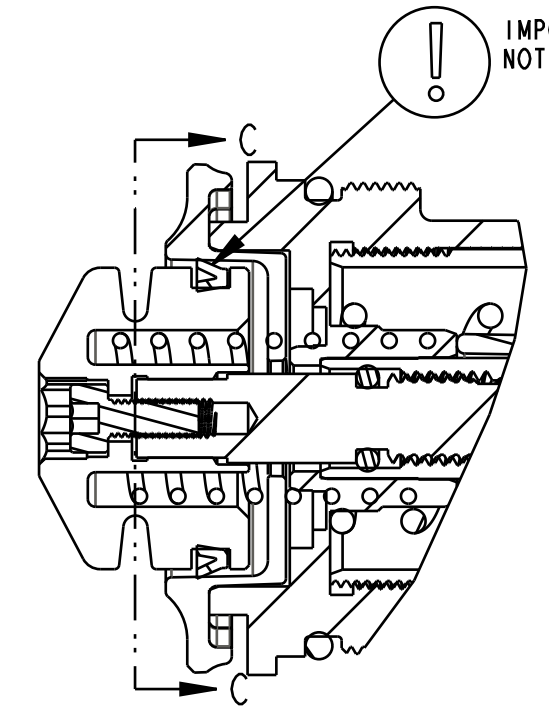
TORQUE:  
6±1 IN.LB.

GREASE:  
THIN LAYER BLUE MARINE GREASE  
ID AND OD

036-01-044  
Seals: U-Cup, Shore 70A, 2013 CTD-ADJ, Remote Fit-CTD and Remote O/C-CTD

019-01-140  
Fastener: Custom (Metric): Socket Set Screw [M4 x .7mm x 3mm], SST, Patchlock

019-01-115  
Fastener Standard (Metric): Screw, Socket Head, M2.5 X 8



DETAIL A

**FOX** FOX Factory, Inc. Ph 831-768-1100  
130 Hangar Way, Watsonville, CA 95076 USA Fax 831-768-9312  
TITLE 2019 32 SC 80-100 Grip Remote  
Cartridge Assemblies Complete

SIZE DWG. NO. C  
PLOT SCALE 0.75 SHEET 1 OF 1

PROPRIETARY  
THIS DOCUMENT CONTAINS CONFIDENTIAL, PROPRIETARY INFORMATION  
THAT IS FOX PROPERTY. DO NOT DISCLOSE TO OR DUPLICATE  
FOR OTHERS EXCEPT AS AUTHORIZED BY FOX.

4

3

2

ProE ASSEM