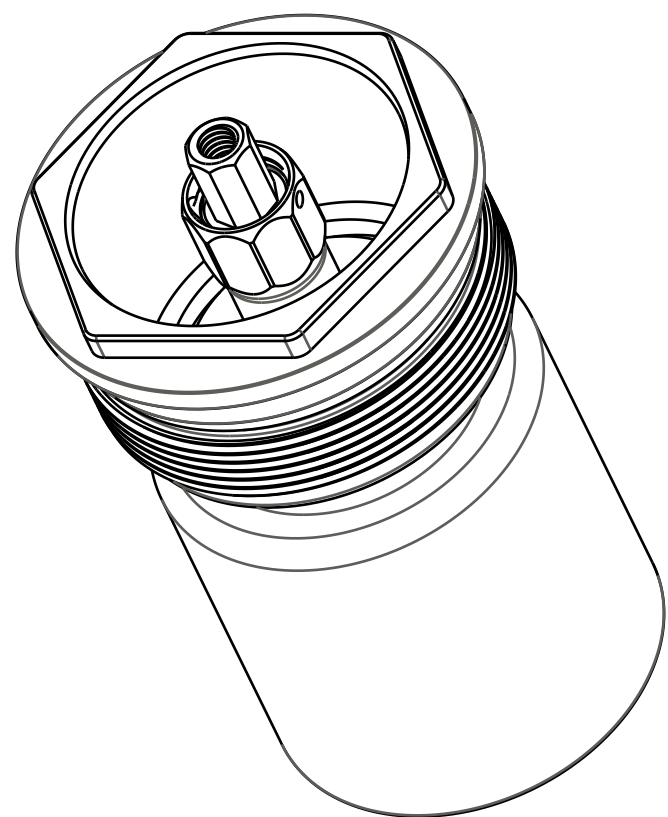


4

3

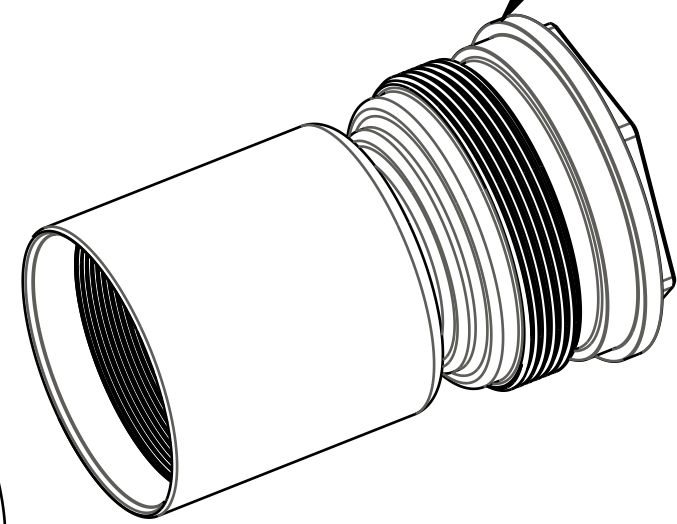
2

1



Body, Topcap, 32, Fit4 Lightweight, U-Cup

GREASE:
THIN LAYER
OF SLICK HONEY



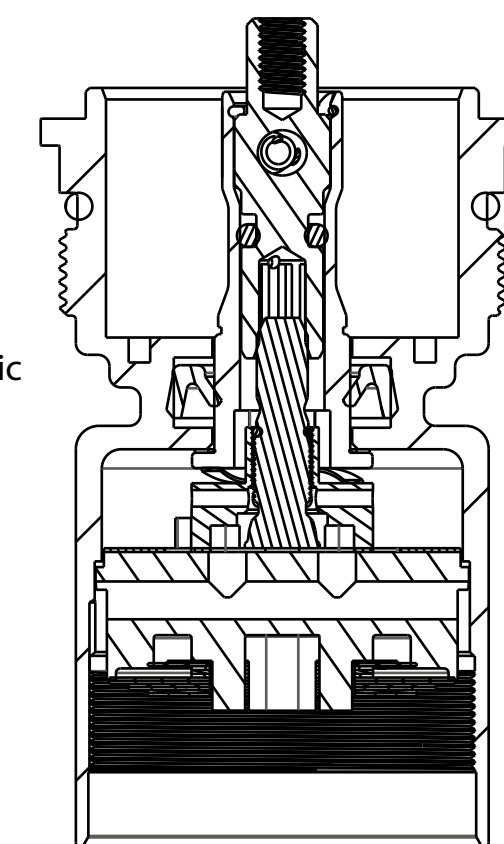
029-03-022-A
Seals: O-Ring [(-022) .070 C.S. X 0.989 ID] Standard, N-70, Static

036-01-093
Seals: U-cup, Low Friction, 9mm Shaft

TOPCAP PARTS:

- 820-03-542-KIT: 2018 FIT4 Lightweight F-S Top Cap Parts, Remote, U-Cup, Push-Unlock
- 820-03-539-KIT: 2018 FIT4 Lightweight F-S Top Cap Parts, Remote, U-Cup, Push-Lock
- 820-03-534-KIT: 2018 FIT4 Lightweight F-S Top Cap Parts, Remote, U-Cup

820-03-575-KIT
2019 FIT4 SC Compression Valving Assy, 8mm Shaft



FOX FOX Factory, Inc. Ph 831-768-1100
130 Hangar Way, Watsonville, CA 95076 USA Fax 831-768-9312

TITLE
**2019 32 SC FIT4 U-Cup
Remote Topcap Assemblies**

SIZE DWG. NO.

C

PLOT SCALE | .50:1

SHEET 1 OF 1

PROPRIETARY
THIS DOCUMENT CONTAINS CONFIDENTIAL, PROPRIETARY INFORMATION
THAT IS FOX PROPERTY. DO NOT DISCLOSE TO OR DUPLICATE
FOR OTHERS EXCEPT AS AUTHORIZED BY FOX.

4

3

2

1