

4

3

2

1

D

D

C

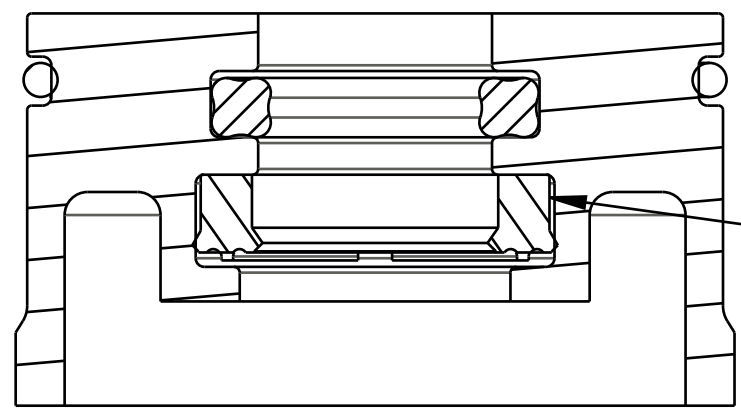
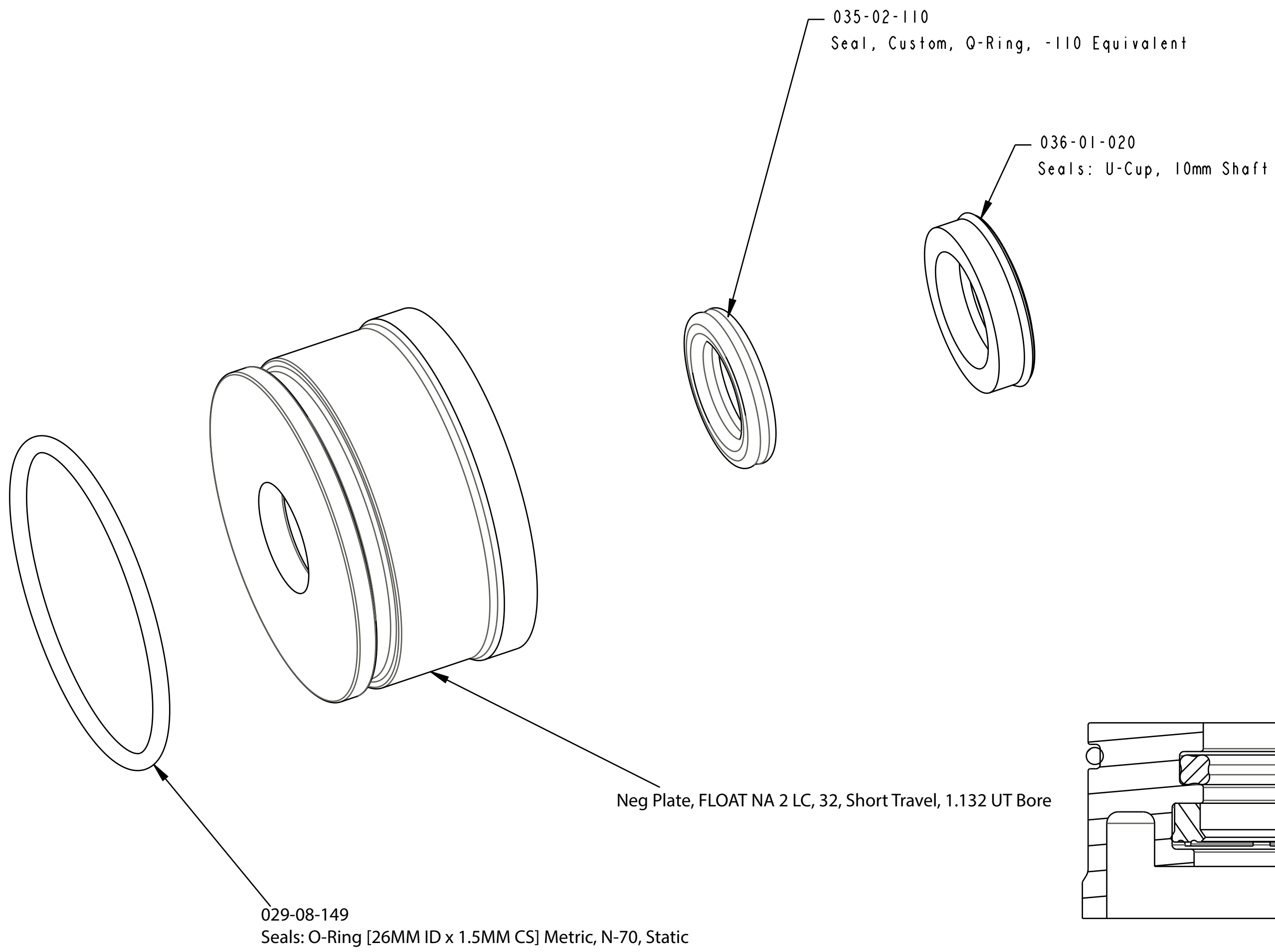
C

B

B

A

A



IMPORTANT:
NOTE ORIENTATION
OF U-CUP SEAL

- PROPRIETARY -
THIS DOCUMENT CONTAINS CONFIDENTIAL, PROPRIETARY INFORMATION
THAT IS FOX PROPERTY. DO NOT DISCLOSE TO OR DUPLICATE
FOR OTHERS EXCEPT AS AUTHORIZED BY FOX.

FOX		FOX Factory, Inc.	Ph 831-768-1100
130 Hangar Way, Watsonville, CA 95076 USA		Fox 831-768-9312	
TITLE Neg Plate Subassembly, 2018 FLOAT			
LC NA 2, 32, Short Travel, 1.132 Bore, SC			
SIZE	DWG. NO.	820-02-414-KIT	
C	PLOT SCALE 3.00:1		SHEET 1 OF 1

4

3

2

1

ProE ASSEM