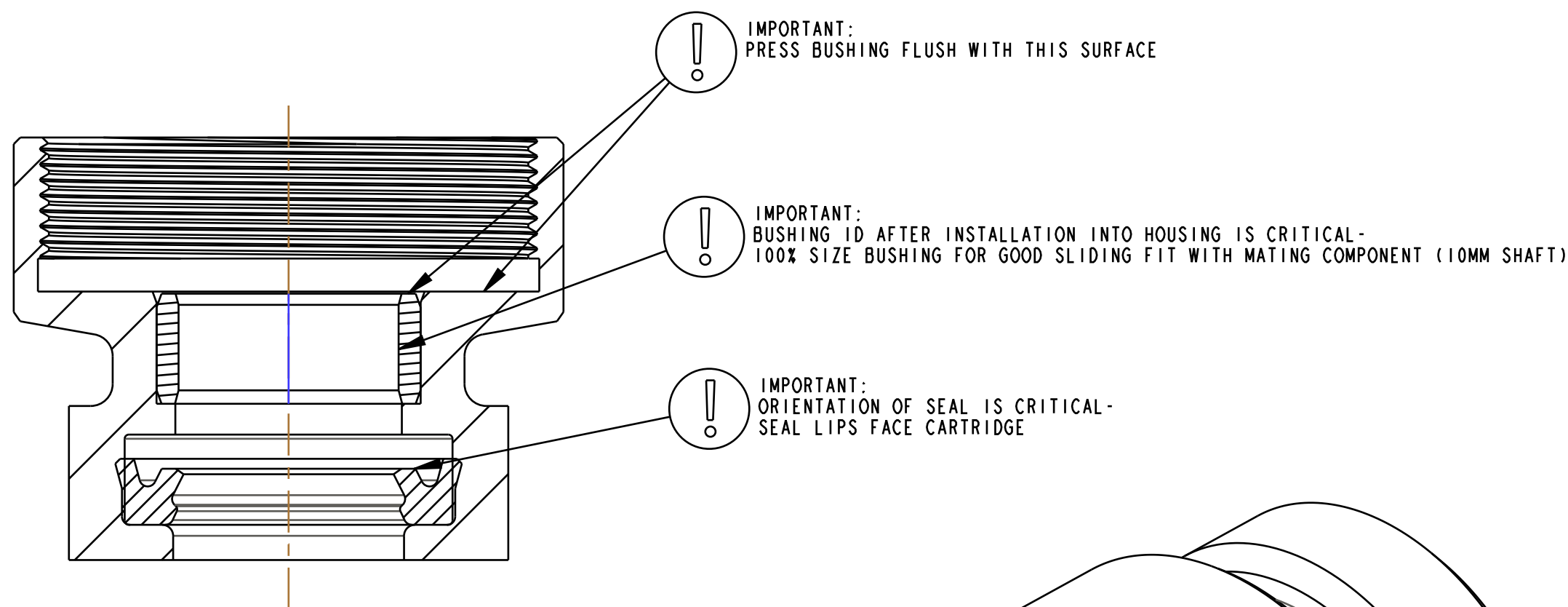


4

3

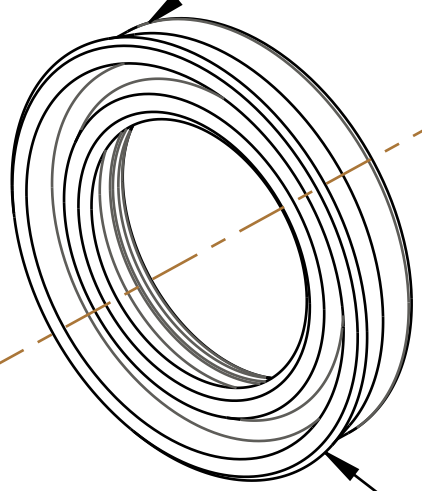
2

1

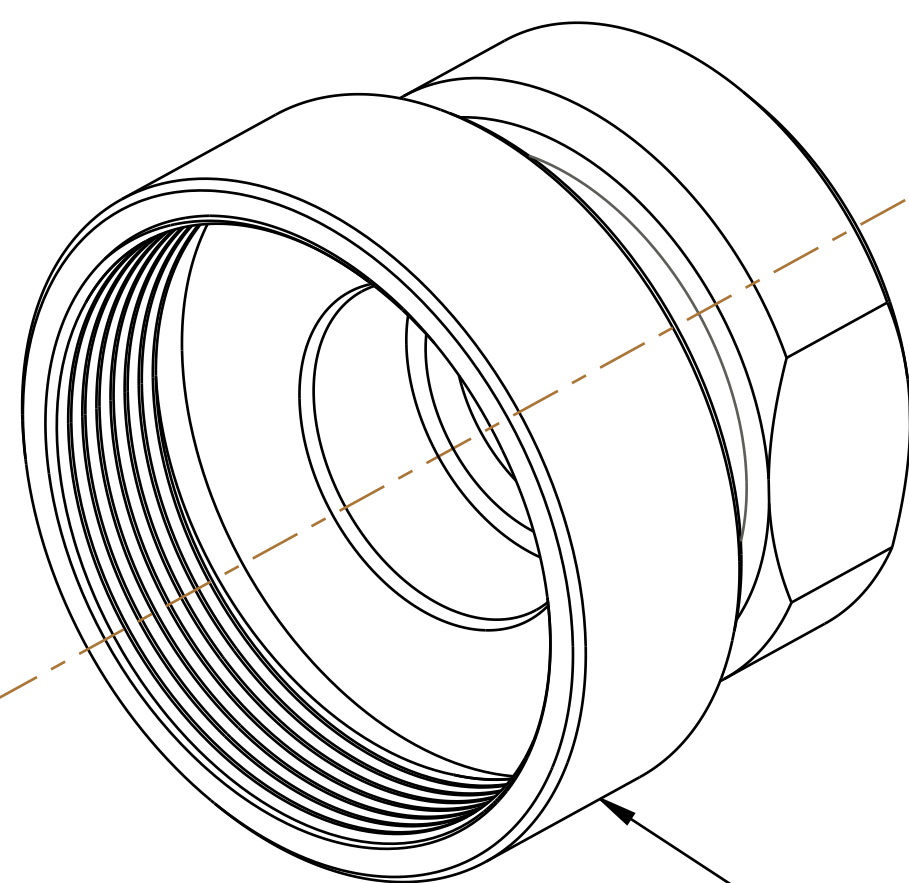


SECTION A-A

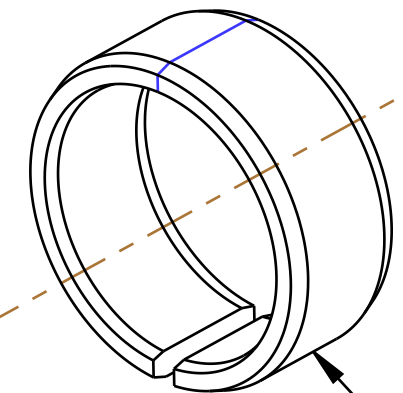
GREASE: THIN LAYER SLICK HONEY



036-02-126
Seal: U-cup, 10mm, 70D



Damping Adjust Part: 2019 Sealhead, Grip, All



Bearing Internal: 10mm ID X 12mm OD X 5mm THK

		FOX Factory, Inc.	Ph 831-768-1100
		130 Hangar Way, Watsonville, CA 95076 USA	Fax 831-768-9312
2019 Grip, All, Bearing Housing Assy			
TITLE	SIZE	DWG. NO.	
	C	820-03-525-KIT	
PLOT SCALE	4:1		SHEET 1 OF 1

- PROPRIETARY -
THIS DOCUMENT CONTAINS CONFIDENTIAL, PROPRIETARY INFORMATION
THAT IS FOX PROPERTY. DO NOT DISCLOSE TO OR DUPLICATE
FOR OTHERS EXCEPT AS AUTHORIZED BY FOX.

4

3

2