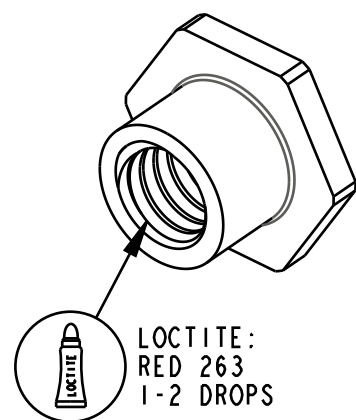


4

3

2

1



DETAIL Y

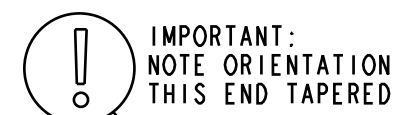
- 019-02-025 Fastener, Standard (Metric), Nut, M6 x .75
- 241-02-106 Fastener, Custom: Bolt Piston Comp Grip
- 039-00-349 Spring: [0.200 TLG X .400 ID X 0.50 lbs/in] Stainless Steel
- 045-00-151 Valve: Metric [8.00mm OD X 5.55mm ID X 0.25mm THK] Custom, Check
- 222-01-295 Piston Damping Comp 20.0 Bore
- 029-08-196 Seals: O-Ring [16.0mm ID X 2.0mm CS] Metric, N-70, Dynamic
- 029-03-011 O-Ring (-011) [.070 C.S. X .301 ID]
- 223-00-049 Piston Floating: IFP, Grip
- 029-08-188 O-Ring [17mm ID X 1.5mm CS], N-90, Static
- 820-03-331-KIT 2017 Grip Compression Valving
- 029-08-084 Seals: O-Ring [8mm ID X 1.5mm CS] Metric, N-70, Static
- 210-22-957 Damping Adj Part: Hat Preload Comp



SEE DETAIL Y

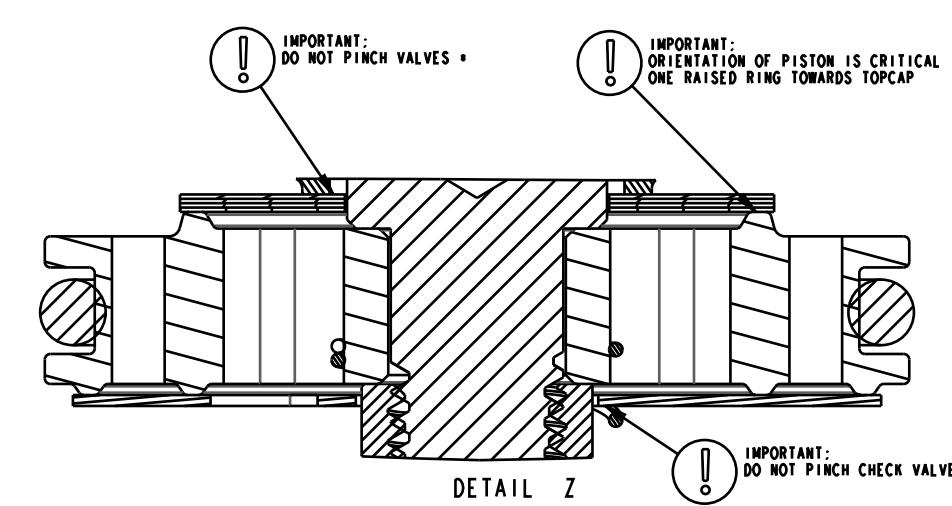
- 029-08-108 Seals: O-Ring [4.0mm ID x 1.5mm CS] Metric, N-70, Static

- 231-00-026 Sleeve: Isolator, Spring, OD, Grip
- 019-01-116 Fastener Standard (Metric): PIN SS 2 X 12
- Shaft, Damper, Comp, 8mm, Grip SC Remote
- 210-24-141 Damping Adj Part: Needle, Comp, Grip SC Remote

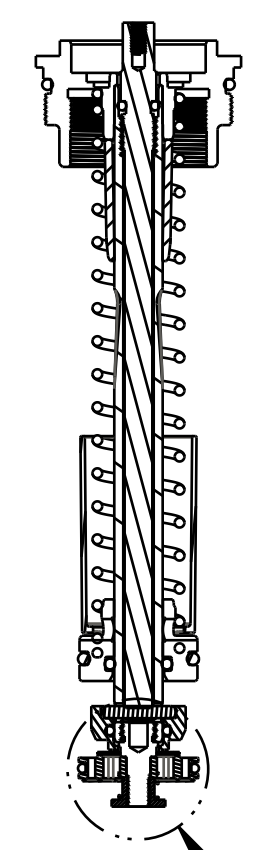


IMPORTANT: NOTE ORIENTATION THIS END TAPERED

- 039-00-379 Spring, Piston, Floating, Grip 100
- 231-00-025 Sleeve: Isolator, Spring, ID, Grip
- 029-03-022-A Seals: O-Ring [(-022) .070 C.S. X 0.989 ID] Standard, N-70, Static
- Damping Adj Part: Topcap 32 2018 Grip, Black Ano



DETAIL Z



SECTION A-A SEE DETAIL Z

- PROPRIETARY -
 THIS DOCUMENT CONTAINS CONFIDENTIAL, PROPRIETARY INFORMATION
 THAT IS FOX PROPERTY. DO NOT DISCLOSE TO OR DUPLICATE
 FOR OTHERS EXCEPT AS AUTHORIZED BY FOX.

	FOX Factory, Inc. 130 Hangar Way, Watsonville, CA 95076 USA Ph 831-768-1100 Fax 831-768-9312
	2019 32 SC, Grip Remote, Topcap Assy
TITLE C	DWG. NO. 820-05-526-KIT
PLOT SCALE 0.80:1	SHEET 1 OF 1