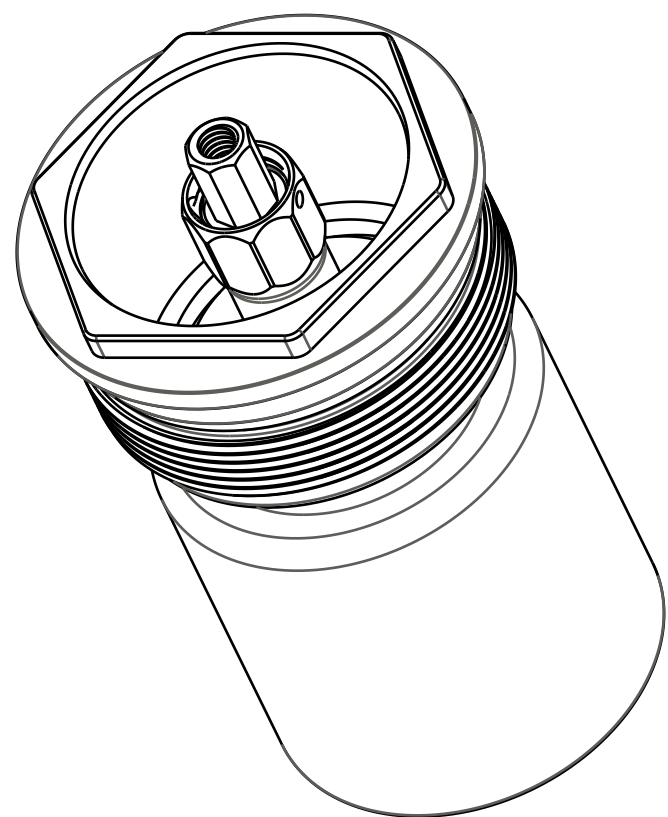


4

3

2

1



Body, Topcap, 32, Fit4 Lightweight, U-Cup

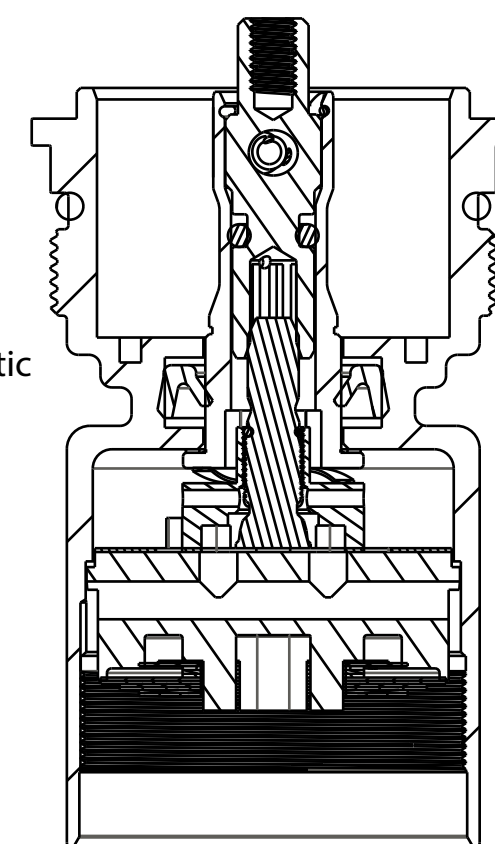
GREASE:  
THIN LAYER  
OF SLICK HONEY

029-03-022-A  
Seals: O-Ring [(-022) .070 C.S. X 0.989 ID] Standard, N-70, Static

036-01-093  
Seals: U-cup, Low Friction, 9mm Shaft

820-03-543-KIT  
2018 FIT4 Lightweight P-S Top Cap Parts, Remote, U-Cup, Push to Unlock

820-03-575-KIT  
2019 FIT4 SC Compression Valving Assy, 8mm Shaft



- PROPRIETARY -  
THIS DOCUMENT CONTAINS CONFIDENTIAL, PROPRIETARY INFORMATION  
THAT IS FOX PROPERTY. DO NOT DISCLOSE TO OR DUPLICATE  
FOR OTHERS EXCEPT AS AUTHORIZED BY FOX.

**FOX** **FOX Factory, Inc.** Ph 831-768-1100  
130 Hangar Way, Watsonville, CA 95076 USA Fax 831-768-9312

TITLE  
**2019 32 SC FIT4 Topcap Assy, Remote,  
U-Cup, P-S, Push to Unlock, 2 Position**

SIZE DWG. NO.  
**C 820-05-530-KIT**

PLOT SCALE | .50:1 | SHEET 1 OF 1