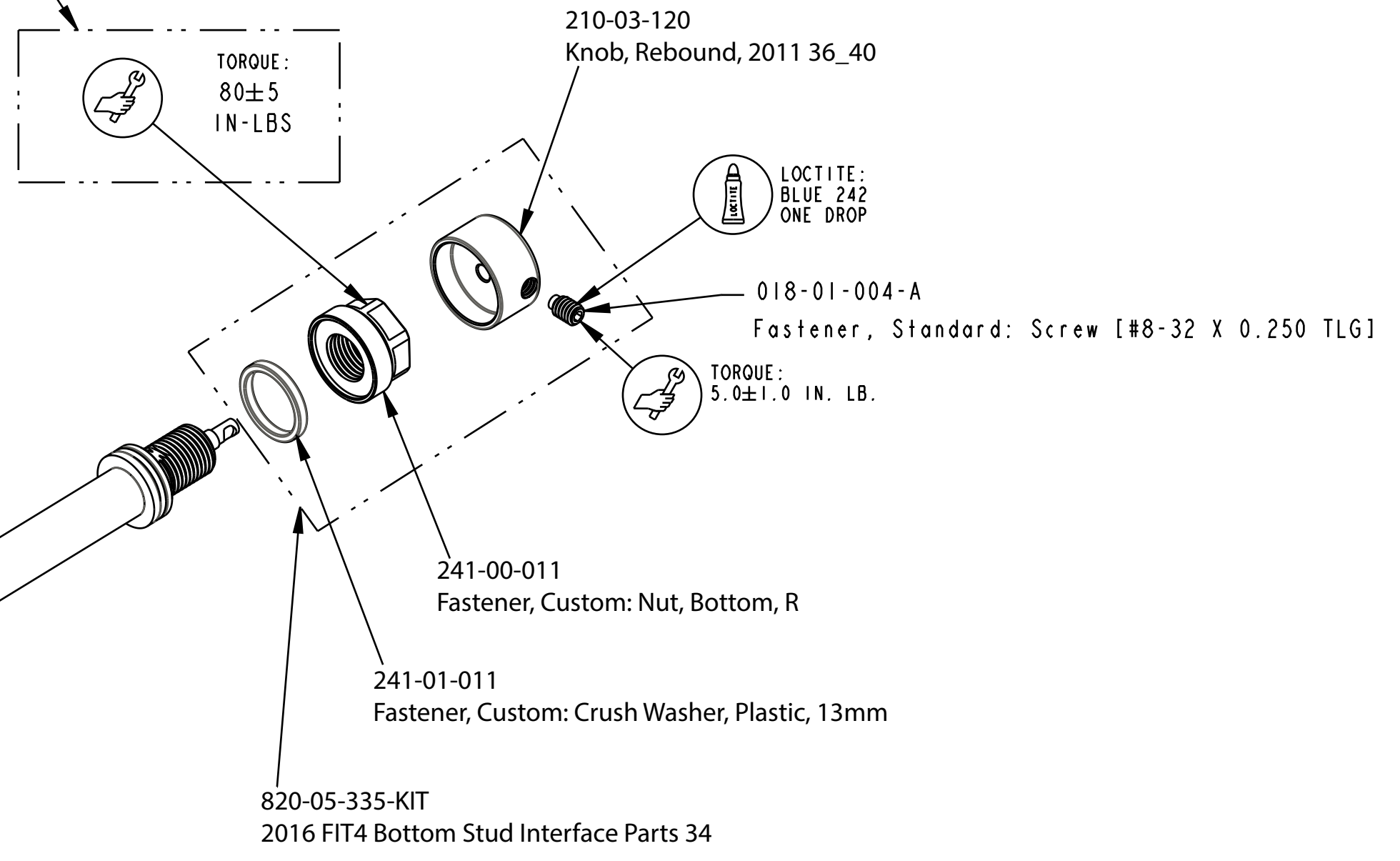


SECTION A-A

REFERENCE ONLY
(FOR INSTALLATION
INTO FORK)



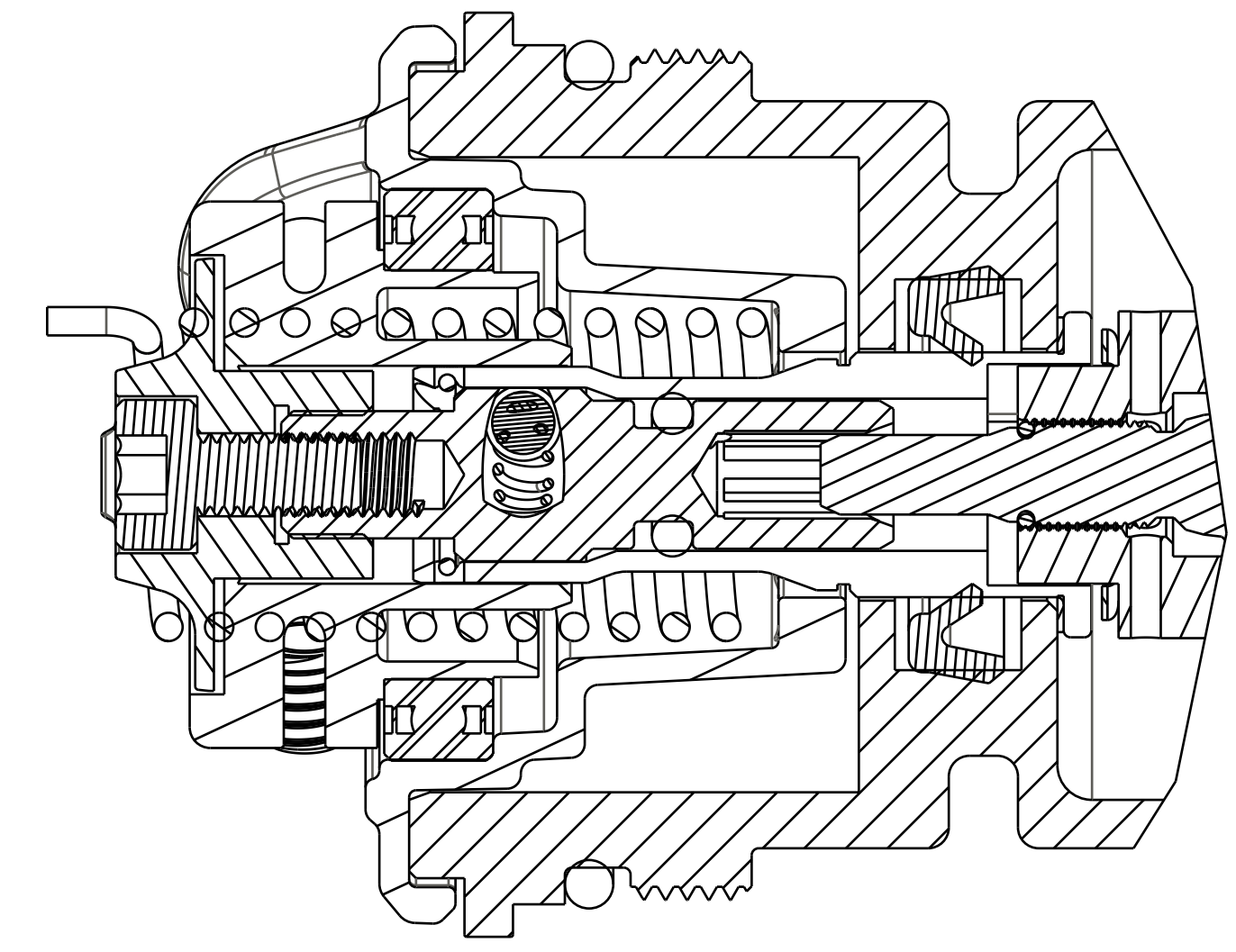
CARTRIDGE ASSY

Topcap Interface Parts:
 820-05-455-KIT 2018 FIT4 TopCap Interface Parts F-S Remote, U-Cup, Push-Unlock
 820-05-456-KIT 2018 FIT4 TopCap Interface Parts F-S Remote, U-Cup, Push-Lock



REFERENCE ONLY
(FOR INSTALLATION
INTO FORK)

TORQUE: 220±5 IN. LB.



DETAIL A
SCALE 4:1

PROPRIETARY - THIS DOCUMENT CONTAINS CONFIDENTIAL, PROPRIETARY INFORMATION THAT IS FOR PROPERTY USE ONLY. DO NOT DISCLOSE TO OR DUPLICATE FOR OTHERS EXCEPT AS AUTHORIZED BY FOX.

FOX Factory, Inc.
 130 Hangar Way, Watsonville, CA 95076 USA
 Ph 831-768-1100 Fax 831-768-9312

TITLE: **2019 34 F-S FIT4 Remote Cartridge Assemblies Complete**

SIZE: D | DWG. NO. | PLOT SCALE 1.00:1 | SHEET 1 OF 1