

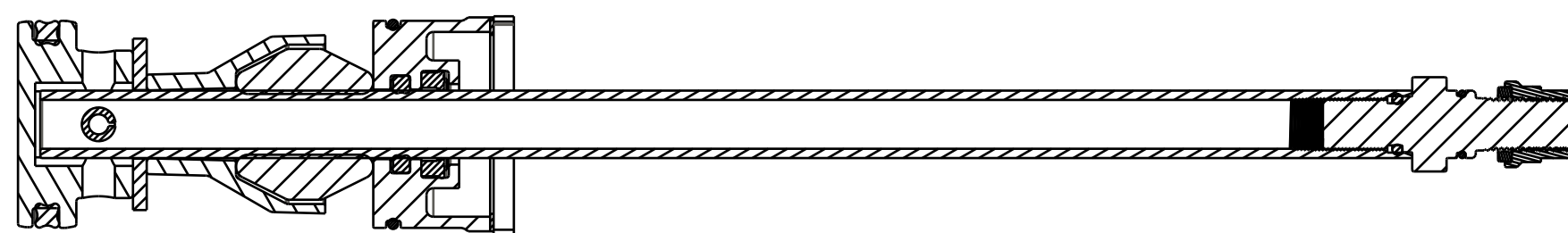
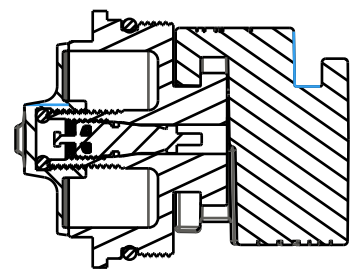
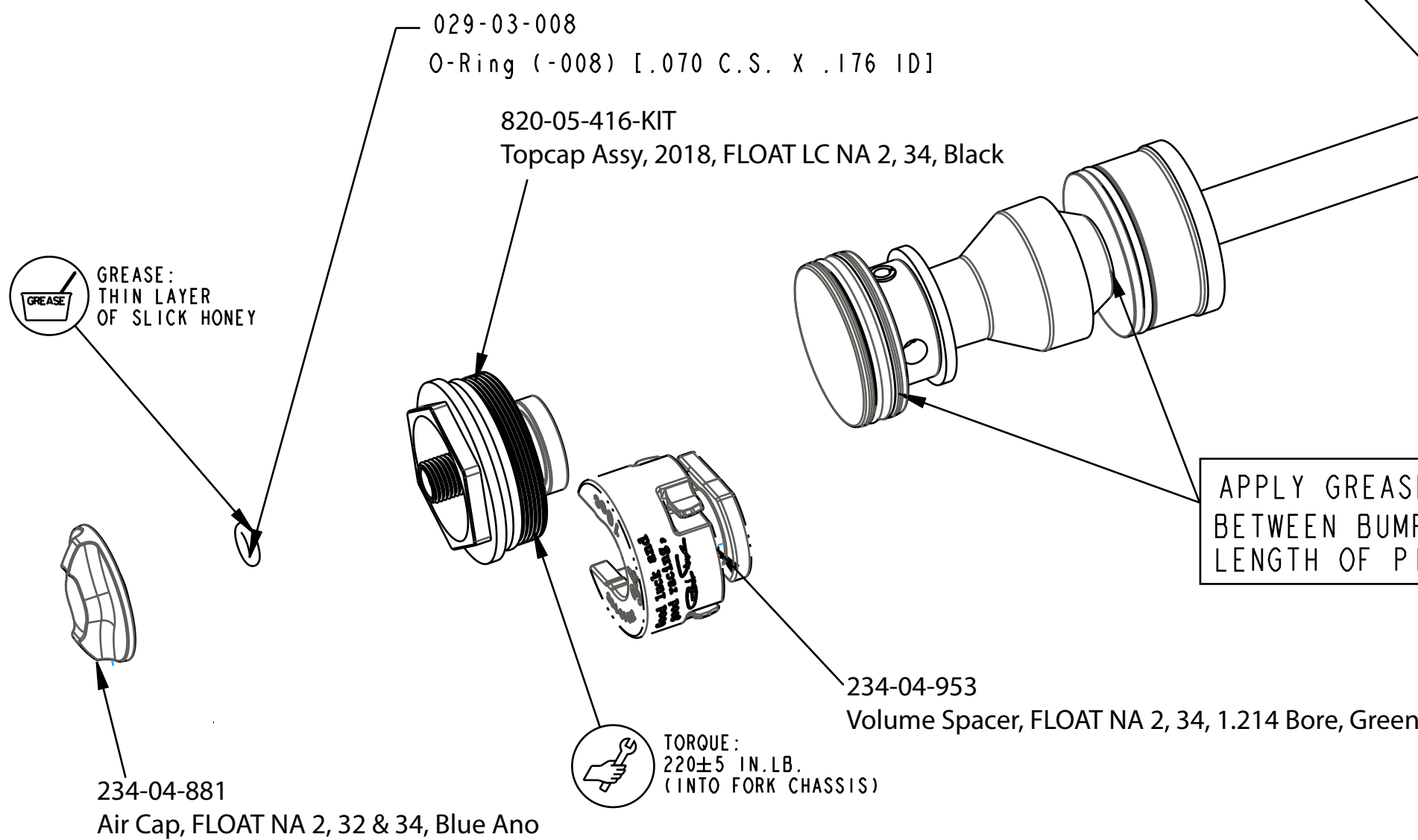
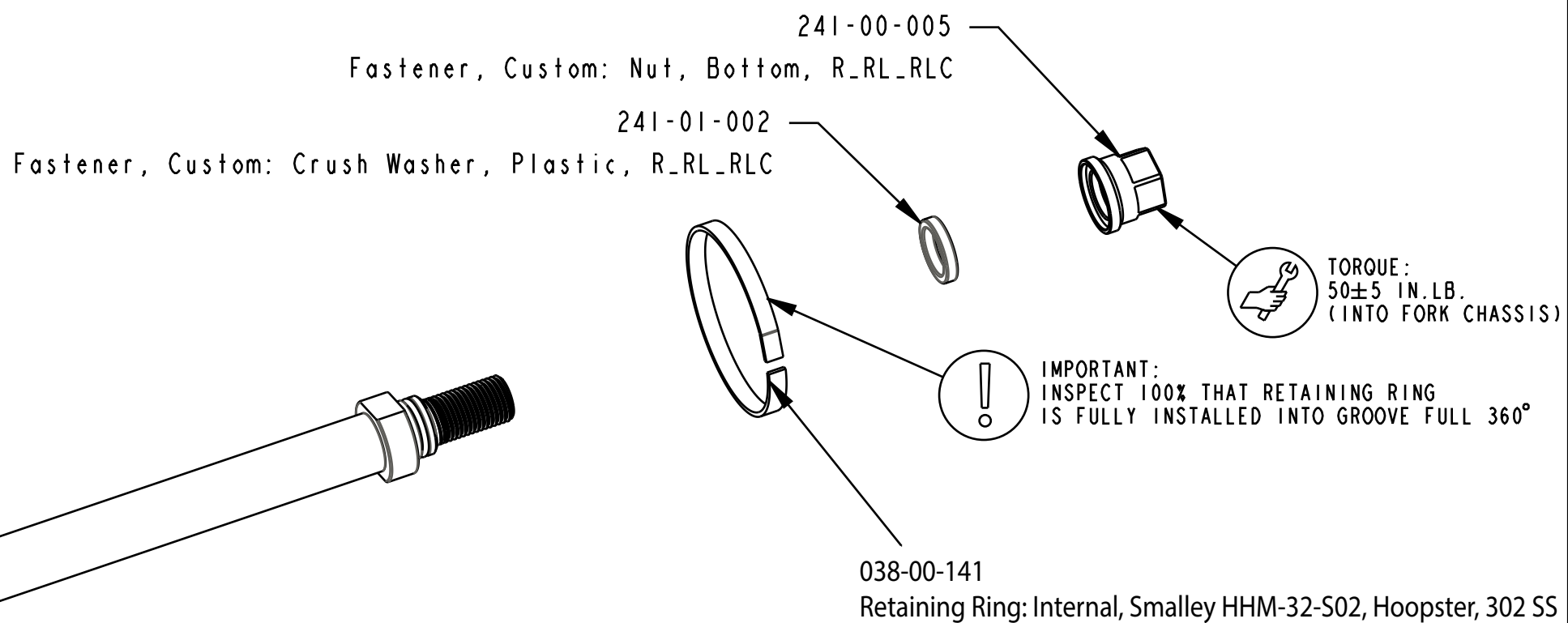
4

3

2

1

AIR SHAFT ASSEMBLIES:
 820-02-525-KIT: Air Shaft Assy, 2019, 34, 110mm, FLOAT LC NA 2, 1.214 Bore, AI NP
 820-02-526-KIT: Air Shaft Assy, 2019, 34, 120mm, FLOAT LC NA 2, 1.214 Bore, AI NP
 820-02-527-KIT: Air Shaft Assy, 2019, 34, 130mm, FLOAT LC NA 2, 1.214 Bore, AI NP
 820-02-528-KIT: Air Shaft Assy, 2019, 34, 140mm, FLOAT LC NA 2, 1.214 Bore, AI NP
 820-02-529-KIT: Air Shaft Assy, 2019, 34, 150mm, FLOAT LC NA 2, 1.214 Bore, AI NP
 820-02-530-KIT: Air Shaft Assy, 2019, 34, 160mm, FLOAT LC NA 2, 1.214 Bore, AI NP



SECTION A-A

PROPRIETARY -
 THIS DOCUMENT CONTAINS CONFIDENTIAL, PROPRIETARY INFORMATION
 THAT IS FOX PROPERTY. DO NOT DISCLOSE TO OR DUPLICATE
 FOR OTHERS EXCEPT AS AUTHORIZED BY FOX.

| | | |
|------------|---|------------------|
| | FOX Factory, Inc. | Ph 831-768-1100 |
| | 130 Hangar Way, Watsonville, CA 95076 USA | Fax 831-768-9312 |
| TITLE | 2019 34 FLOAT | |
| | Air Spring Assemblies | |
| SIZE | DWG. NO. | |
| C | | |
| PLOT SCALE | 1.00:1 | SHEET 1 OF 1 |

4

3

2

1

PrøE ASSEM