

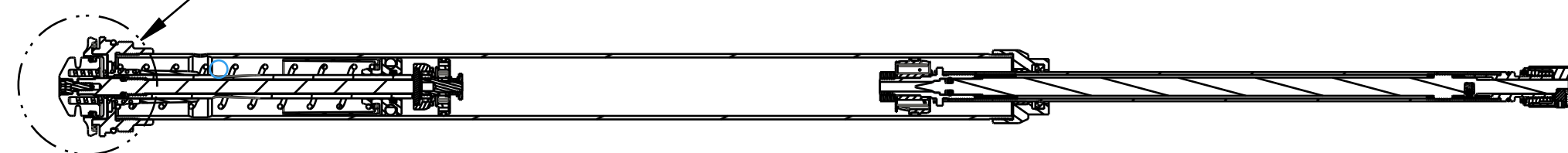
4

3

2

1

SEE DETAIL A



SECTION A-A  
SCALE 0.500

018-01-004-A  
Fastener, Standard: Screw [#8-32 X 0.250 TLG]

REFERENCE ONLY  
(FOR INSTALLATION  
INTO FORK)

TORQUE:  
50±5  
(IN-LB)

LOCTITE:  
BLUE 242 OF 243  
ONE DROP

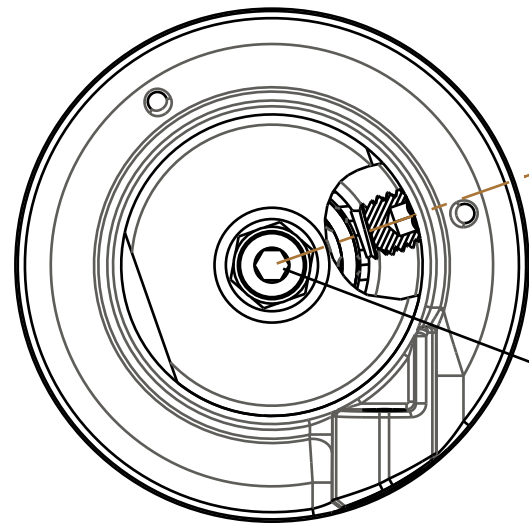
TORQUE:  
5.0±0.5 IN.LB.

REBOUND KNOBS:  
210-22-726: Knob: Rebound Adjust, Extruded, Red, Grip  
210-24-032: Knob: Rebound Adjust, Grip Extruded, Red, 29

241-00-005  
Fastener, Custom: Nut, Bottom, R\_RL\_RLC

BOTTOM STUD INTERFACE PARTS:  
820-05-374-KIT: 2017 Grip Bottom Stud Interface Parts  
820-05-326-KIT: 2017 34 29in Grip Bottom Stud Interface Parts

241-01-002-C  
Fastener, Custom: Crush Washer, Plastic, R\_RL\_RLC



WHEN LOCKED OUT, SET SCREW MUST BE 20°-60° FROM  
CABLE BOSS (AT 6 IN-LB).

SECTION C-C

TORQUE: NEEDLE TO 3.5±.25 IN-LB  
BEFORE INSTALLING REMOTE ASSEMBLY  
TORQUE TO 1.5 IN-LB FOR CARTRIDGE DYNO

820-05-445-KIT  
2018 Grip Remote, Topcap Interface Parts

CARTRIDGE ASSY

TORQUE:  
220±5 IN.LB.

REFERENCE ONLY  
(FOR INSTALLATION  
INTO FORK)

210-24-285  
Cable Pulley Remote, Grip

210-24-259  
Damping Adjust Part: Housing, Remote, Hubless, FIT4

039-00-404  
Spring: Torsion, Remote, 2018 Grip

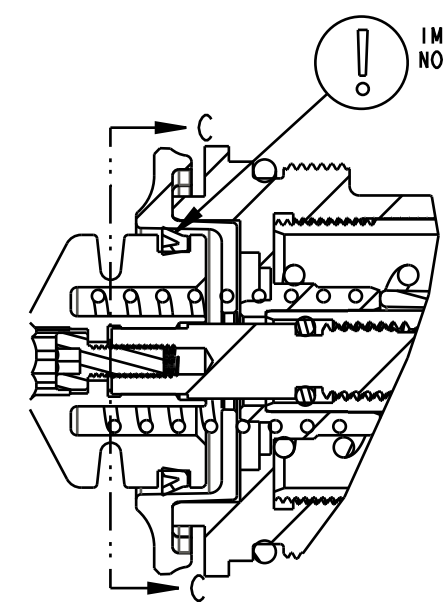
TORQUE:  
6±1 IN.LB.

GREASE:  
THIN LAYER BLUE MARINE GREASE  
ID AND OD

036-01-044  
Seals: U-Cup, Shore 70A, 2013 CTD-ADJ, Remote Fit-CTD and Remote O/C-CTD

019-01-140  
Fastener: Custom (Metric): Socket Set Screw [M4 x .7mm x 3mm], SST, Patchlock

019-01-115  
Fastener Standard (Metric): Screw, Socket Head, M2.5 X 8



IMPORTANT:  
NOTE SEAL ORIENTATION

DETAIL A  
SCALE 2.000

PROPRIETARY -  
THIS DOCUMENT CONTAINS CONFIDENTIAL, PROPRIETARY INFORMATION  
THAT IS FOX PROPERTY. DO NOT DISCLOSE TO OR DUPLICATE  
FOR OTHERS EXCEPT AS AUTHORIZED BY FOX.

**FOX Factory, Inc.** Ph 831-768-1100  
130 Hangar Way, Watsonville, CA 95076 USA Fax 831-768-9312

TITLE  
**2019 34 Rhythm Grip Remote  
Cartridge Assemblies Complete**

SIZE DWG. NO.  
**C**

PLOT SCALE 0.75 | SHEET 1 OF 1