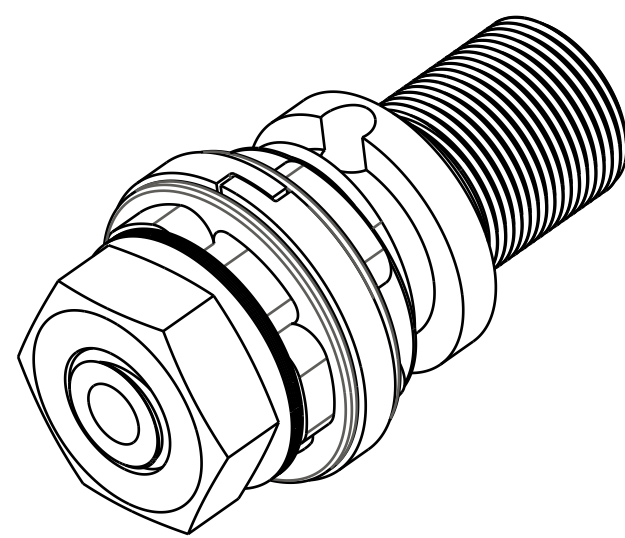


4

3

2

1



039-00-120
Spring: Rebound Check, 09 36_40

210-22-881
Shaft Stud, FIT4

002-02-011
Glide Ring, 04 Slim R_RL_RLC_X

Piston: Rebound, Kidney, 35/65 Flow

029-08-029
Seals: O-Ring [7.0MM ID x 1.0MM CS] Metric, N-70, Static

045-00-035
Valve: Metric [13.0mm OD X 8.1mm ID X 0.15mm TH]

044-20-035
Valve: [.350 OD X .252 ID X .020 TH]

018-00-012
Nut [1/4-28 X 5/32 TLG]

044-04-050
Valve: [.500 OD X .252 ID X .0045 TH]

(044-04-050)

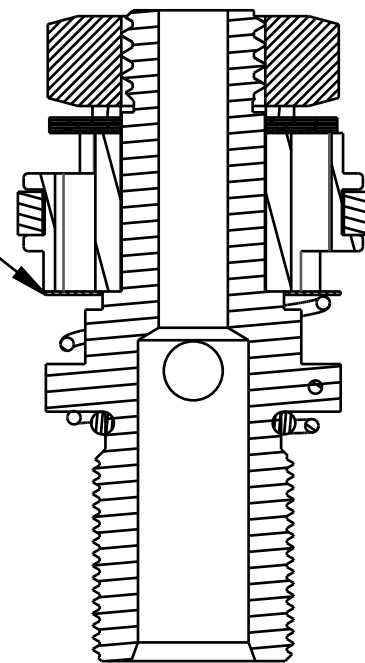
TORQUE:
HAND TIGHT

IMPORTANT:
NOTE PISTON
ORIENTATION

IMPORTANT:
ORIENT SPRING SO CLOSED
END FACES SHAFT STUD

GREASE:
THIN LAYER
OF SLICK HONEY

ENSURE VALVES ARE NOT
PINCHED DURING ASSEMBLY



PROPRIETARY
THIS DOCUMENT CONTAINS CONFIDENTIAL, PROPRIETARY INFORMATION
THAT IS FOX PROPERTY. DO NOT DISCLOSE TO OR DUPLICATE
FOR OTHERS EXCEPT AS AUTHORIZED BY FOX.

FOX **FOX Factory, Inc.** Ph 831-768-1100
130 Hangar Way, Watsonville, CA 95076 USA Fax 831-768-9312

TITLE
Rebound Piston Assy
2016 FIT4, Short Travel

SIZE DWG. NO.
C 820-03-486-KIT

PLOT SCALE 3.00:1 SHEET 1 OF 1

4

3

2

1

ProE ASSEM