

4

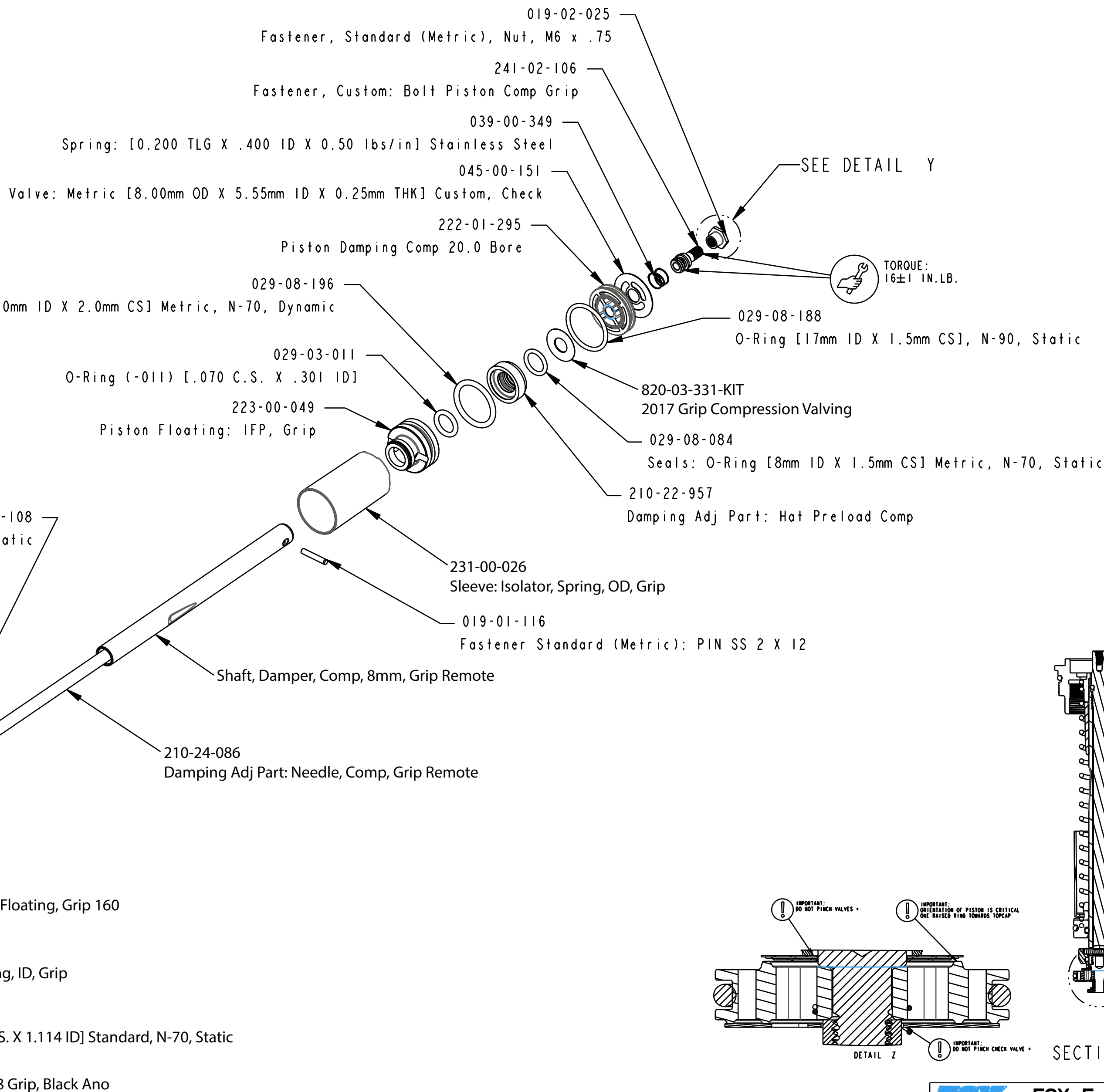
3

2

1

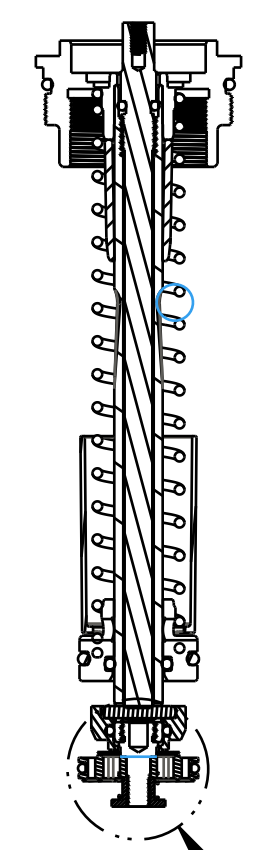
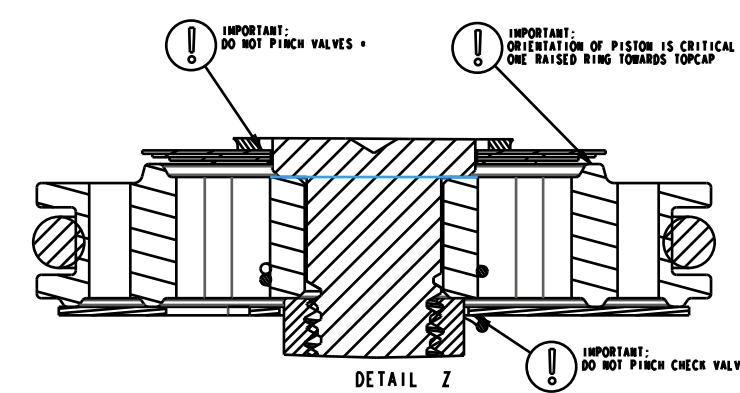


DETAIL Y
SCALE 4:1



TORQUE:
16±1 IN.LB.

IMPORTANT:
NOTE ORIENTATION
THIS END TAPERED



SECTION A-A
SEE DETAIL Z

- PROPRIETARY -
THIS DOCUMENT CONTAINS CONFIDENTIAL, PROPRIETARY INFORMATION
THAT IS FOX PROPERTY. DO NOT DISCLOSE TO OR DUPLICATE
FOR OTHERS EXCEPT AS AUTHORIZED BY FOX.

	FOX Factory, Inc. 130 Hangar Way, Watsonville, CA 95076 USA Ph 831-768-1100 Fax 831-768-9312
	2019 34, All, Grip Remote, Topcap Assy
TITLE C	DWG. NO. 820-05-523-KIT
PLOT SCALE 0.80:1	SHEET 1 OF 1