

Seals: O-Ring [16.5mm ID X 1.5mm CS] Metric, N-70, Static

039-00-205
Spring, Comp. Check

044-06-060
Valve: [.600 X .252 X .006]

GREASE:
THIN LAYER
OF SLICK HONEY

040-20-066
Valve: [0.660 OD X 0.377 ID X 0.020 TH]

210-22-877
Reflow Cap, FIT 4

OIL:
THIN LAYER OF FOX MX5 DAMPER OIL

IMPORTANT:
NOTE ORIENTATION
OF SPRING

210-22-887
Bladder Seal Ring Lower, FIT4

TORQUE:
55±5 IN.LB.

038-00-063
RING: INTERNAL SMALLY (VH-100-S02)

GREASE:
THIN LAYER
OF SLICK HONEY

210-22-303
Bladder, 010 RL_RLC

210-22-997
Compression Piston Clamp, FIT4

210-22-996
Shaft: Coupler, 0.375" OD X 0.254" ID, 7075-T6, FIT4

IMPORTANT:
MAKE SURE
IS FULLY SEATED

GREASE:
THIN LAYER
OF SLICK HONEY

029-03-020
O-Ring (-020) [.070 C.S. X .864 ID]

IMPORTANT:
DO NOT SEAT UNTIL
ENTIRE CART. IS TORQUED

210-22-886
Bladder Seal Ring Upper, FIT4

TORQUE:
75±5 IN.LB.
COMPRESSION CLAMP INTO TOPCAP ONLY

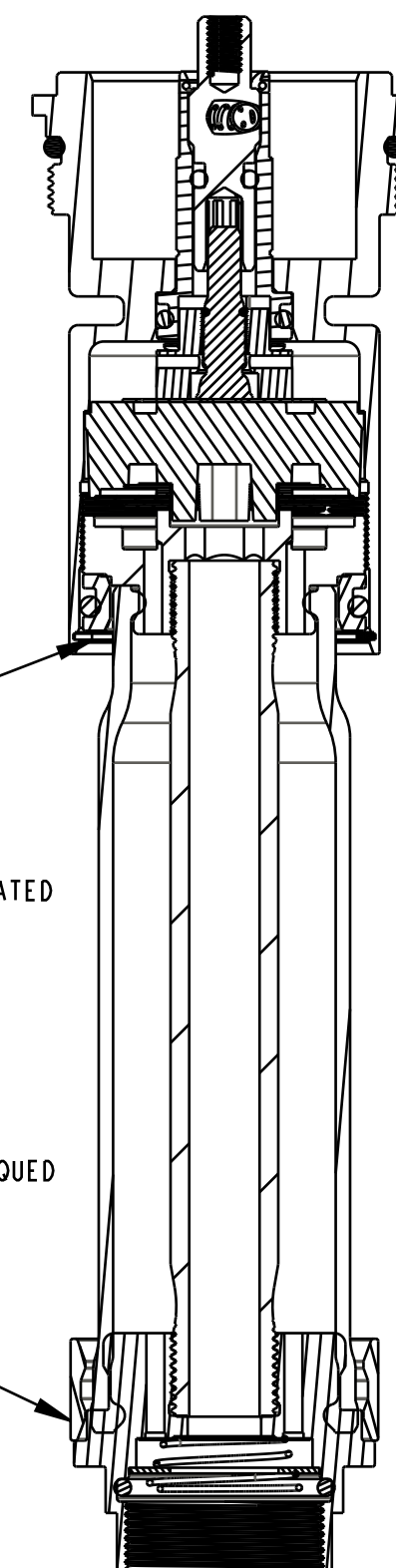
820-03-596-KIT
2019 FIT4 Compression Valving Assy, E-Bike Tune

820-03-462-KIT
2016 FIT4 F-S Top Cap Parts

029-03-024-A
Seals: O-Ring [(-024) .070 C.S. X 1.114 ID] Standard, N-70, Static

TORQUE:
55±5 IN.LB.

Body, Topcap, 34 FIT4, Black Ano



SECTION A-A
SCALE 1.500

PROPRIETARY
THIS DOCUMENT CONTAINS CONFIDENTIAL, PROPRIETARY INFORMATION
THAT IS FOX PROPERTY. DO NOT DISCLOSE TO OR DUPLICATE
FOR OTHERS EXCEPT AS AUTHORIZED BY FOX.

FOX Factory, Inc. Ph 831-768-1100
130 Hangar Way, Watsonville, CA 95076 USA Fax 831-768-9312

TITLE
**2019 34 FIT4 F-S
Topcap Assy, E-Bike Tune**

SIZE DWG. NO.
C 820-05-538-KIT

PLOT SCALE | .00 : 1 | SHEET | OF | 1