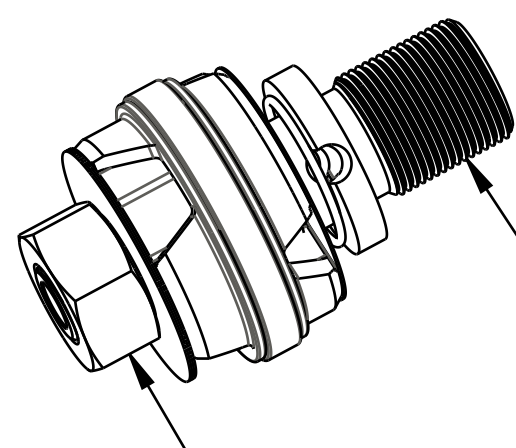


4

3

2

1



LOCTITE:  
RED 263, 2-3 DROPS  
360° COVERAGE \*

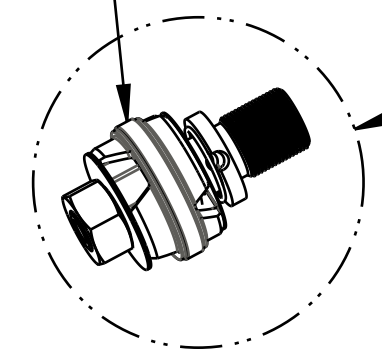
TORQUE:  
40±5 in-lb

DETAIL Z  
SCALE 2:1

820-03-525-KIT  
2019 Grip, All, Bearing Housing Assy

229-10-272  
Shaft, 10mm Damper, Hard Ano, Grip, 32 29 All

REBOUND PISTON ASSEMBLIES:  
820-03-591-KIT: 2019 Grip E-Bike Rebound Piston Assy  
820-03-330-KIT: 2017 Grip Rebound Piston Assy



SEE DETAIL Z

210-24-037  
Damping Adj Part: Base Stud, M10.25, Grip

029-08-047  
Seals: O-Ring [13.0MM ID x 1.0MM CS]  
Metric, N-70, Static

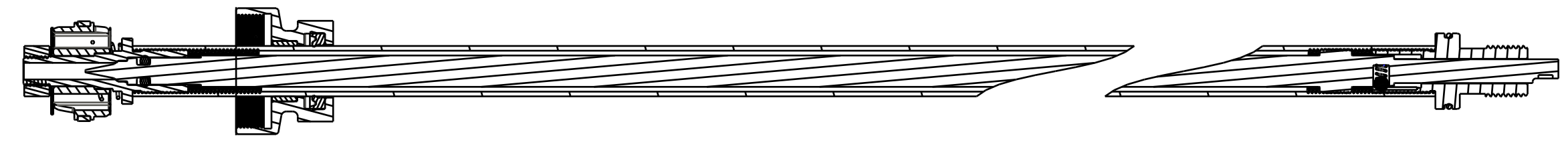
TORQUE:  
40±5 in-lb

LOCTITE:  
RED 263, 2-3 DROPS  
360° COVERAGE \*

010-01-012  
Ball [Ø.1094]

039-00-243  
Spring: Detent [.138 TLG, .087 OD, 48 lb/in]

210-03-232  
Damping Adj Part: Needle, Rbd, Injection Molded, 32 29 All



SECTION A-A

029-03-005  
O-Ring (-005) [.070 C.S. x 0.101 ID]

PROPRIETARY  
THIS DOCUMENT CONTAINS CONFIDENTIAL, PROPRIETARY INFORMATION  
THAT IS FOX PROPERTY. DO NOT DISCLOSE TO OR DUPLICATE  
FOR OTHERS EXCEPT AS AUTHORIZED BY FOX.

**FOX** FOX Factory, Inc. Ph 831-768-1100  
 130 Hangar Way, Watsonville, CA 95076 USA Fax 831-768-9312

TITLE **2019 36 P-S Grip Remote Damper Shaft Assemblies**

SIZE DWG. NO. **C**

PLOT SCALE 1:1 SHEET 1 OF 1

ProE ASSEM

4

3

2

1