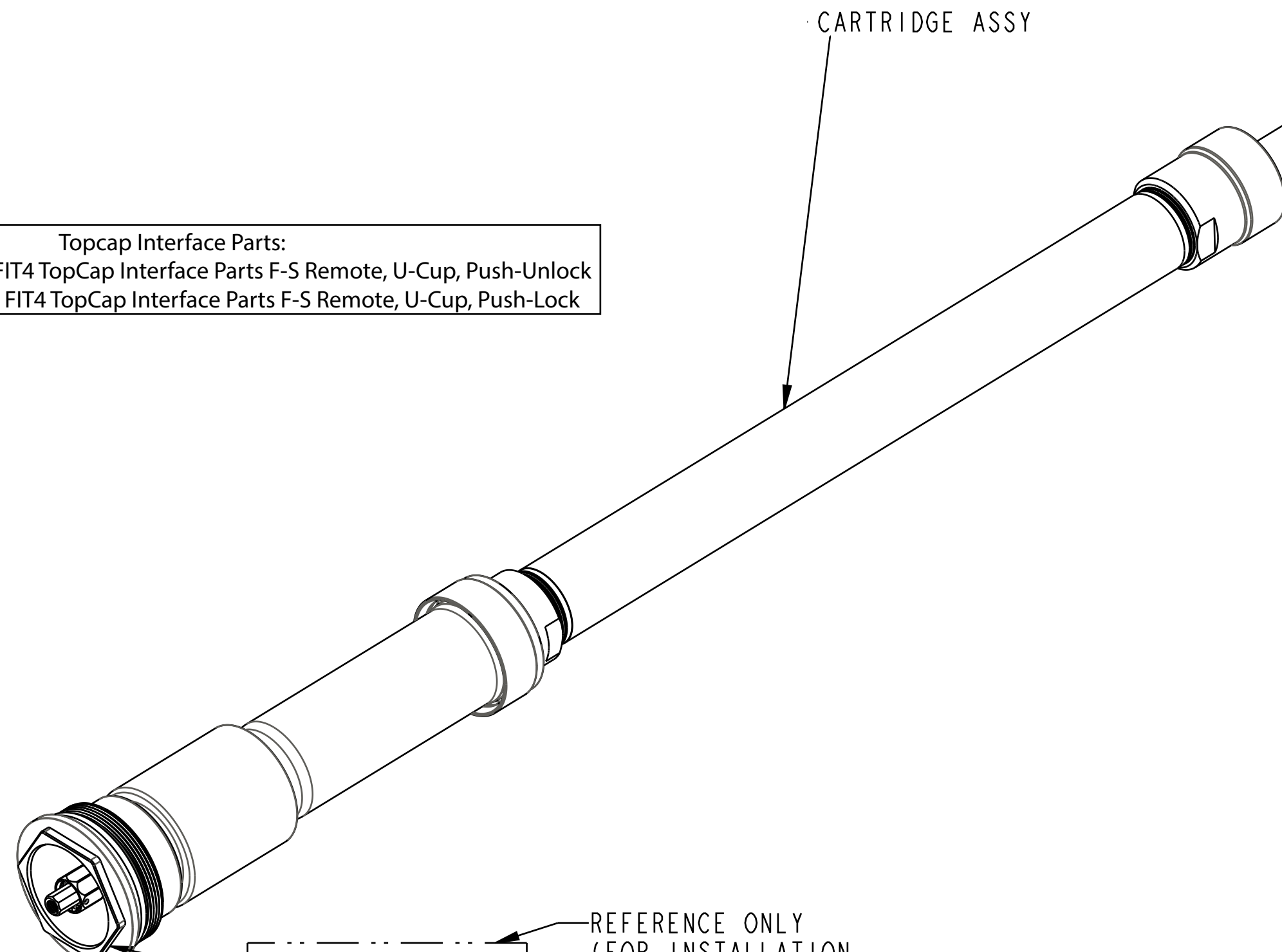


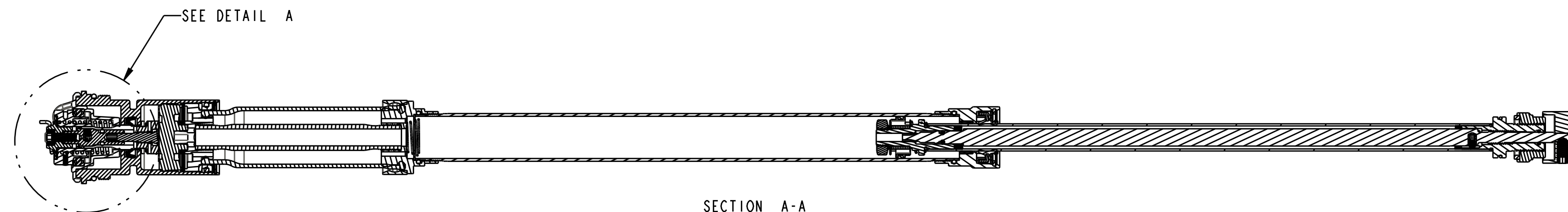
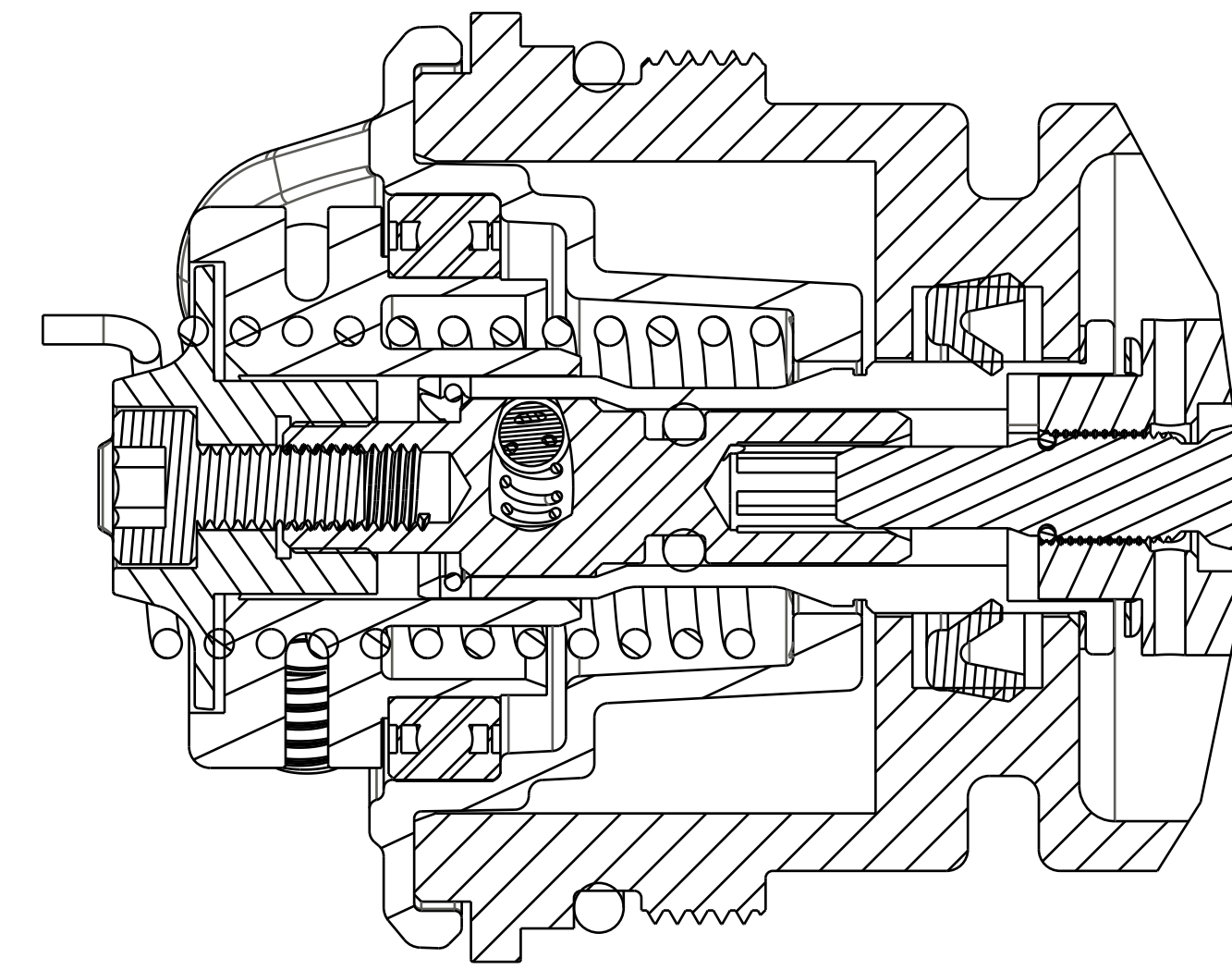
Topcap Interface Parts:
820-05-455-KIT 2018 FIT4 TopCap Interface Parts F-S Remote, U-Cup, Push-Unlock
820-05-456-KIT 2018 FIT4 TopCap Interface Parts F-S Remote, U-Cup, Push-Lock

TORQUE:
11±3 IN-LBS



TORQUE:
220±5 IN. LB.

REFERENCE ONLY
(FOR INSTALLATION
INTO FORK)



PROPRIETARY
THIS DOCUMENT CONTAINS CONFIDENTIAL, PROPRIETARY INFORMATION
THAT IS FOR PROPERTY. DO NOT DISCLOSE TO OR DUPLICATE
FOR OTHERS EXCEPT AS AUTHORIZED BY FOX.